

Johnny Five

Model and Instructions by Pepa Quin



Model built with
LEGO Digital Designer

Instructions created
with Blueprint by MSX

A WORD OF WARNING

This is a fairly complex model. While these instructions are based as close as possible to my original model (with a few minor improvements), not everything was allowable in LDD. Occasionally I would have to add an extra or alternative part just to appease the program. Throughout these instructions I have made a few small notes to correct these 'errors'.

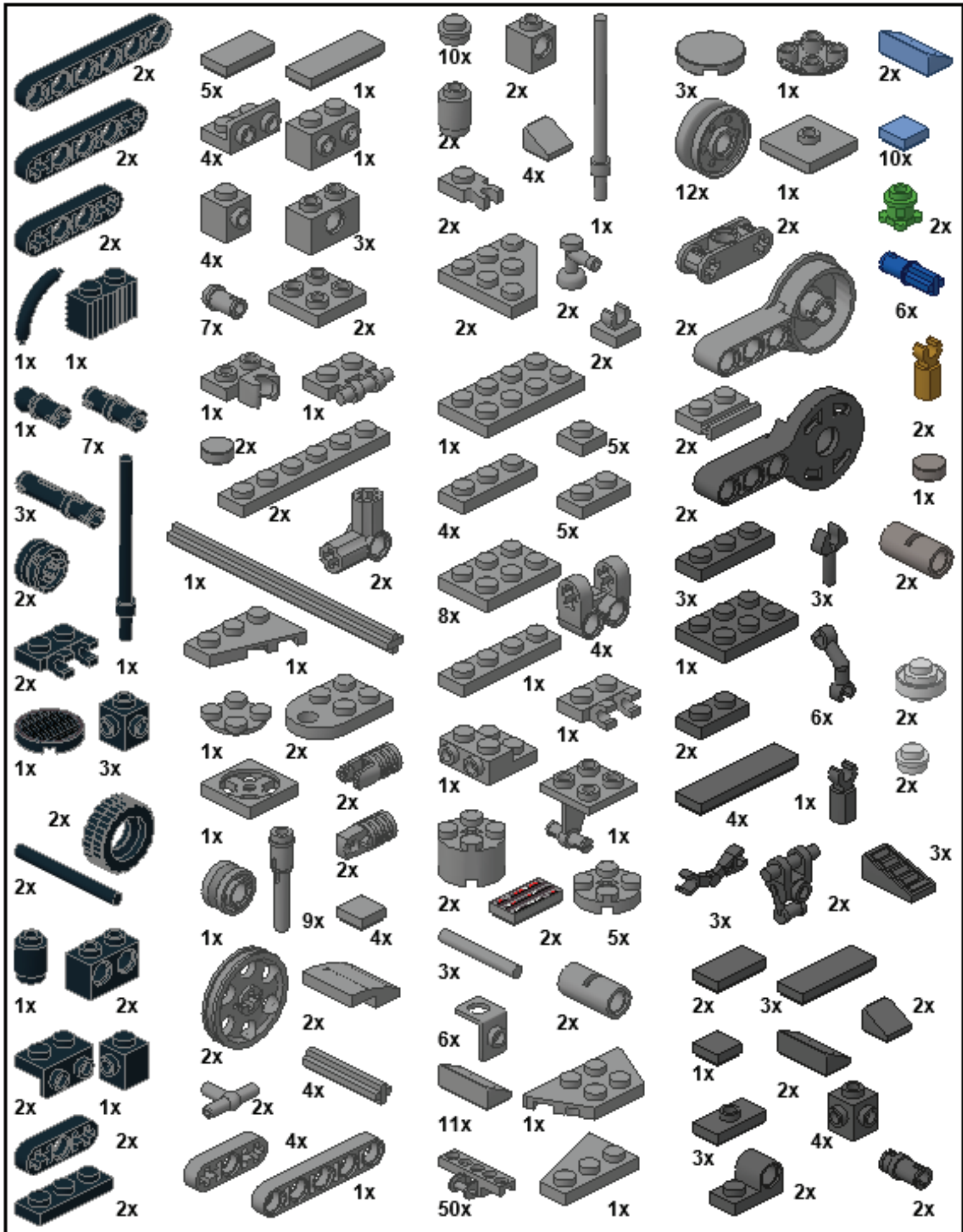
This is not an official LEGO set. As such, it has not been subjected to the rigorous testing and reworking that make LEGO sets easy and fun for all ages. I have done my best to make these instructions easy to follow, but I stress that you take as much care and patience as possible.

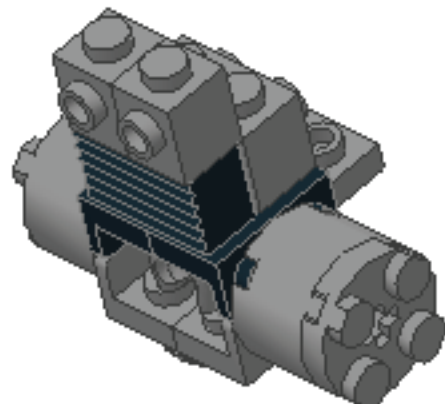
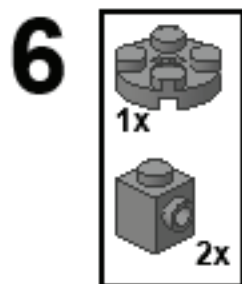
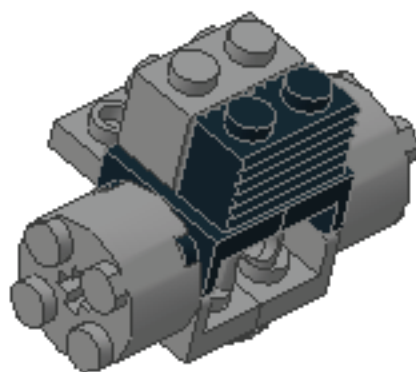
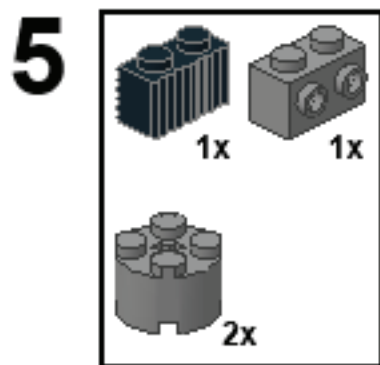
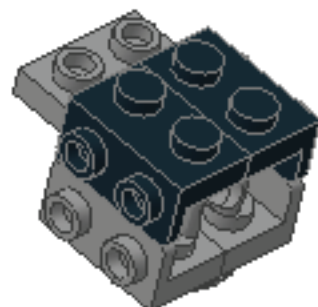
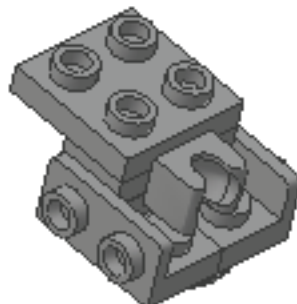
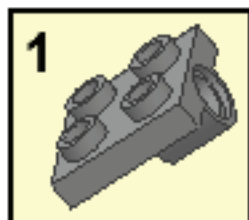
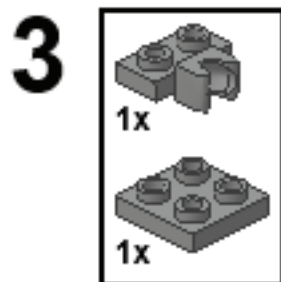
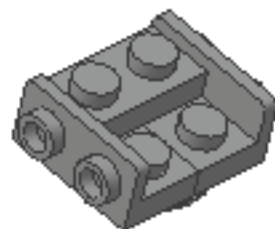
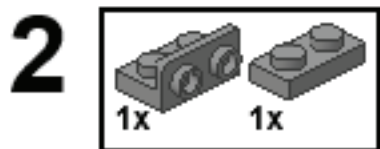
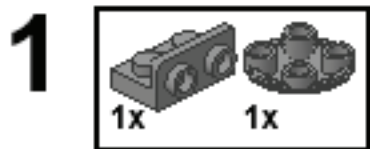
This Johnny model is meant for display only. While it has some decent posability, please be careful when handling.

-Matthew De Lanoy
pepa_quin@yahoo.com

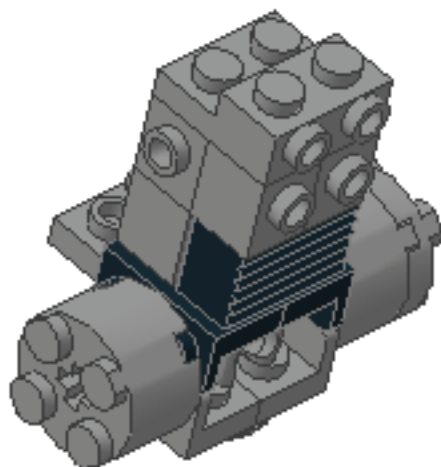
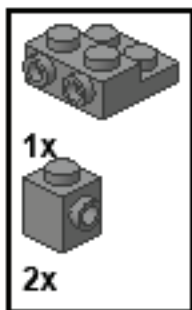


Original model
August 2015

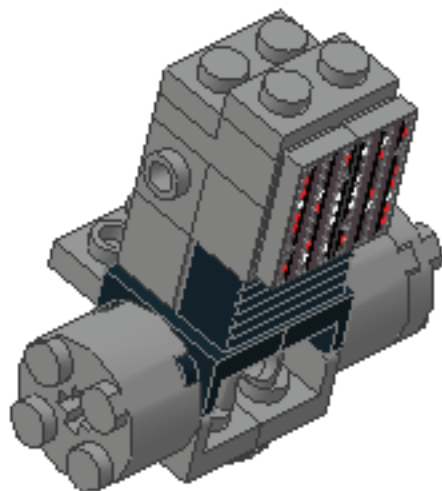
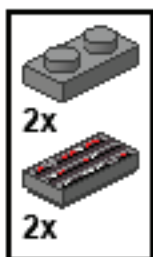




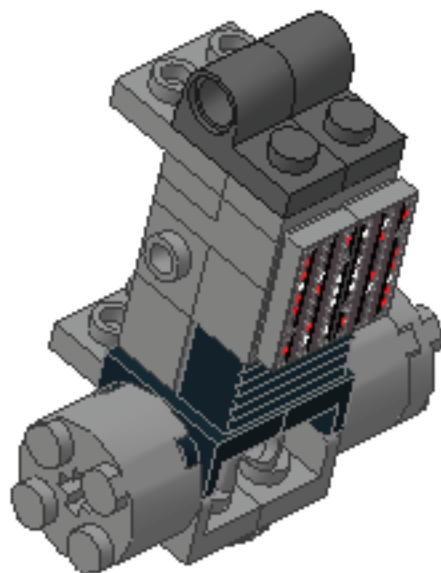
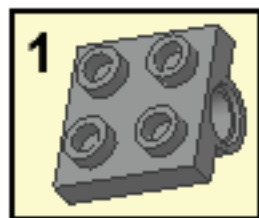
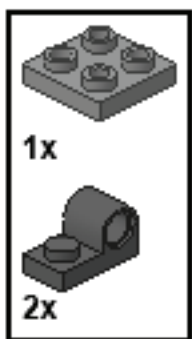
7



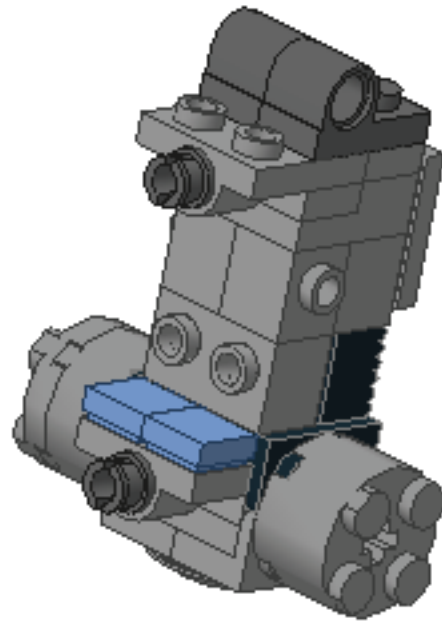
8



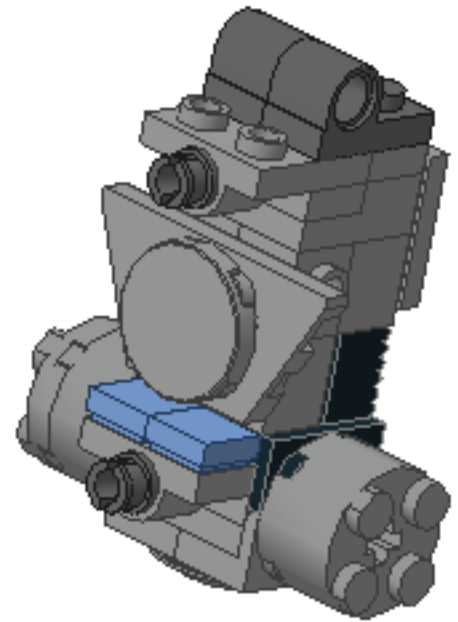
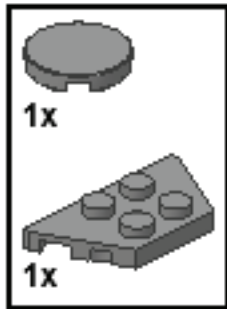
9



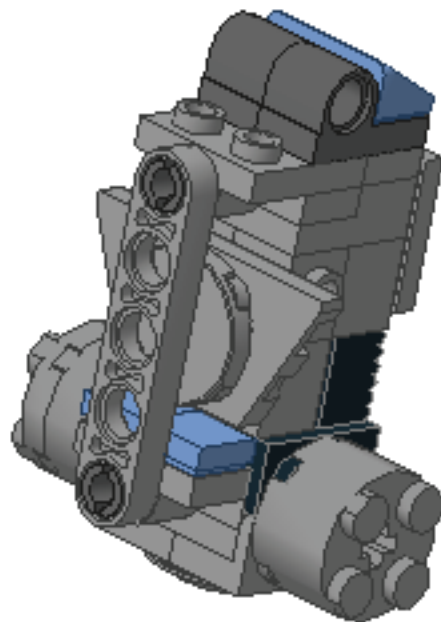
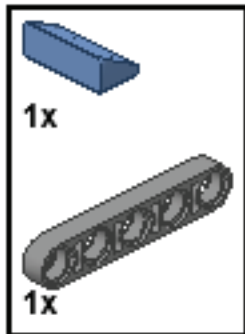
10



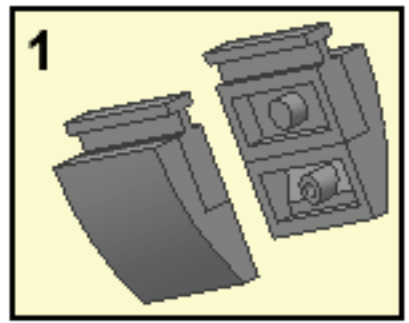
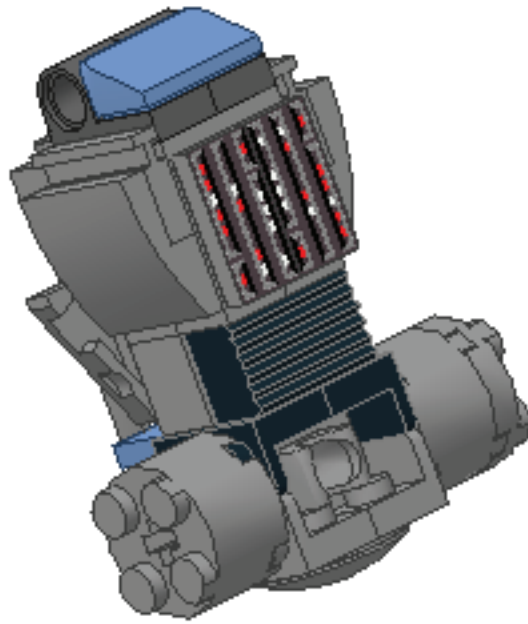
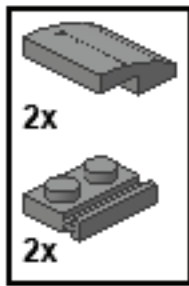
11



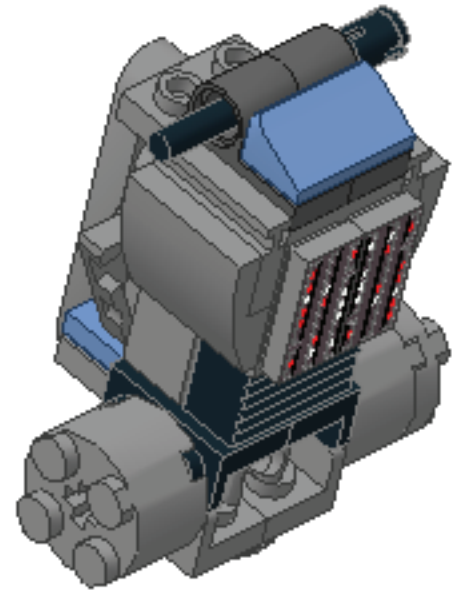
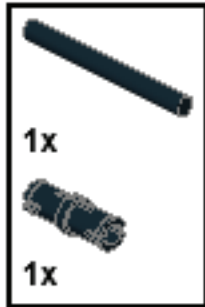
12



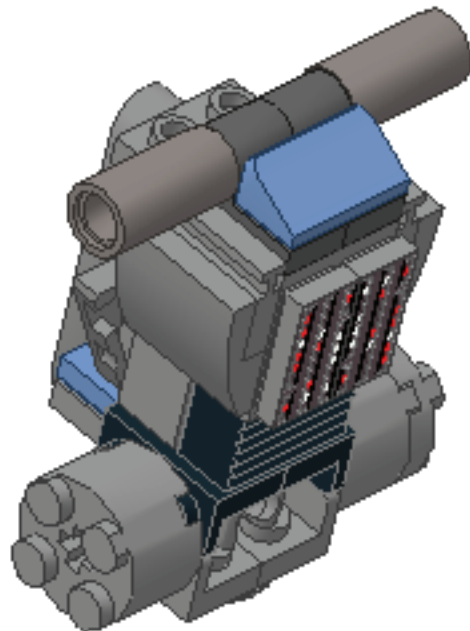
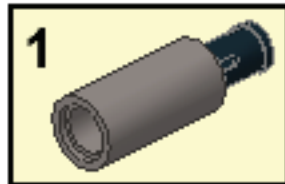
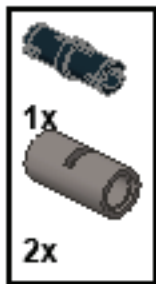
13



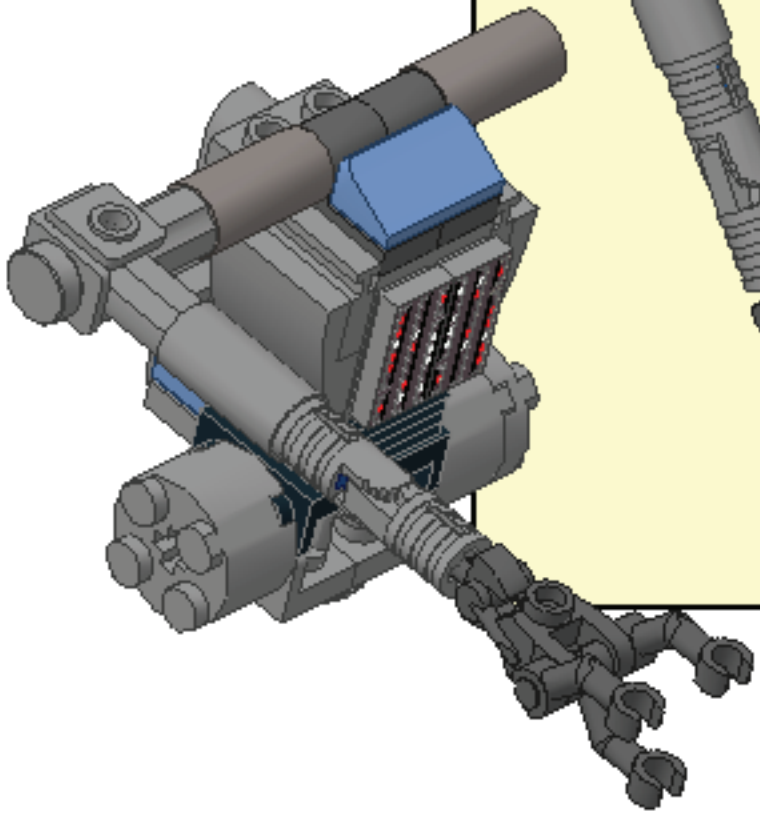
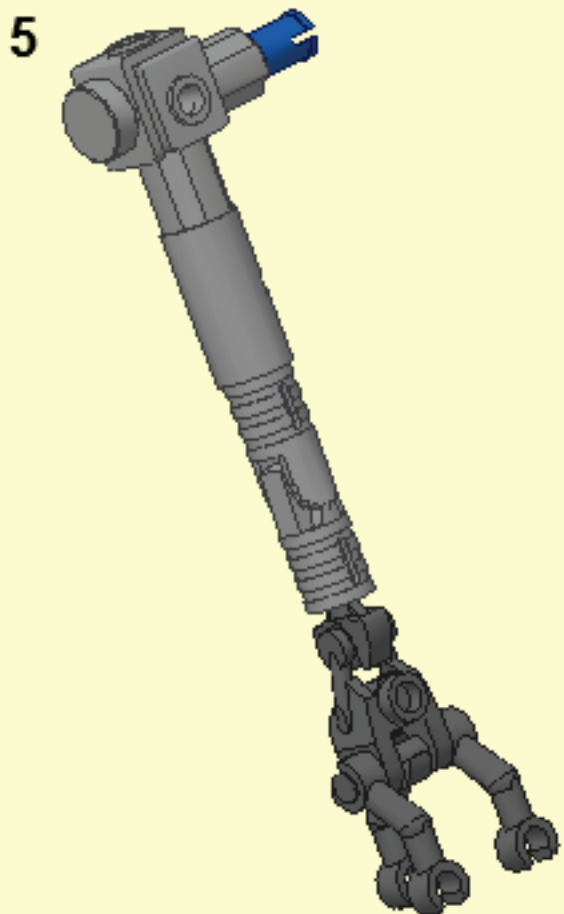
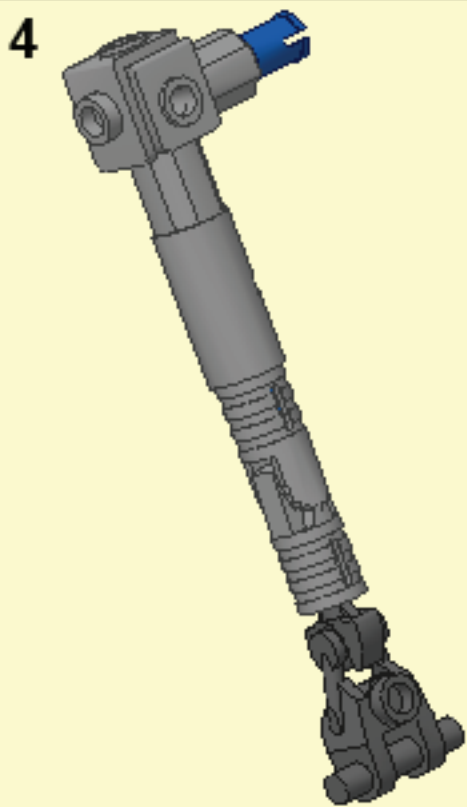
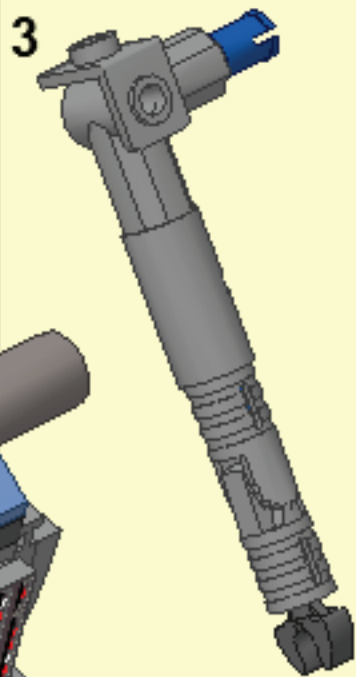
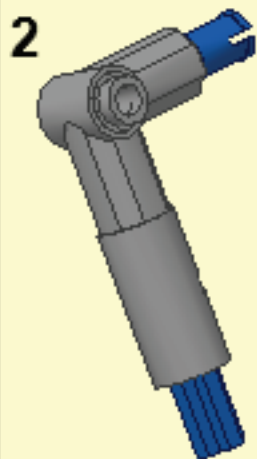
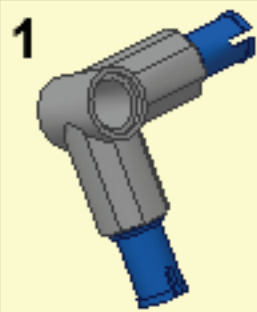
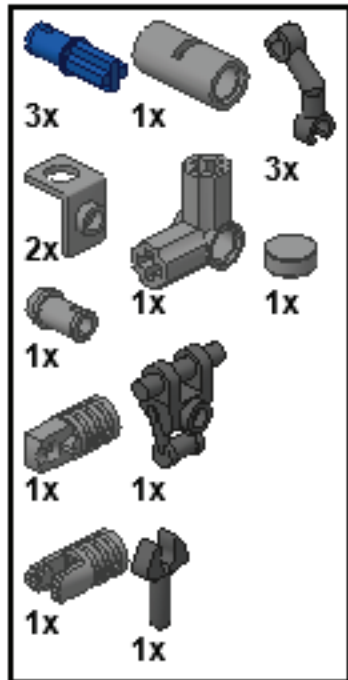
14



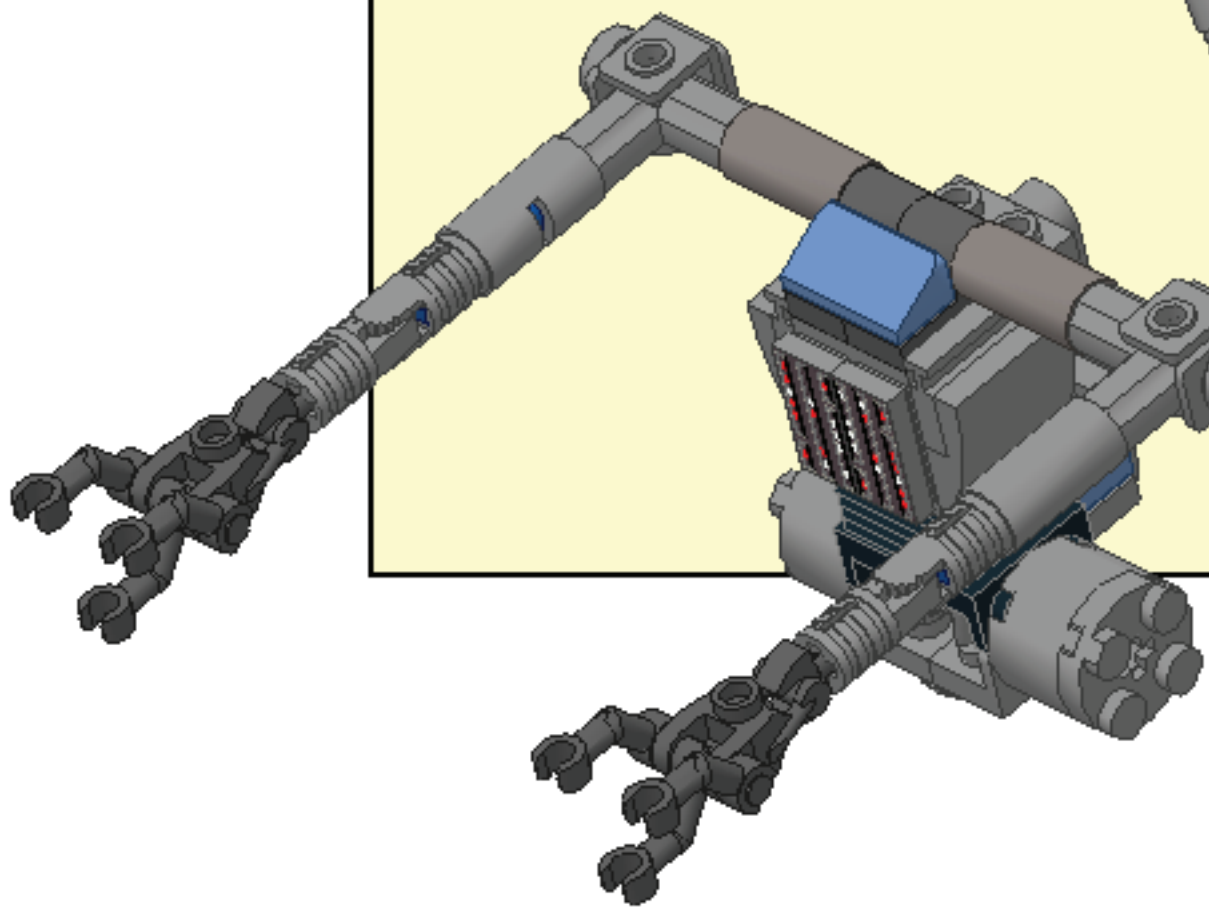
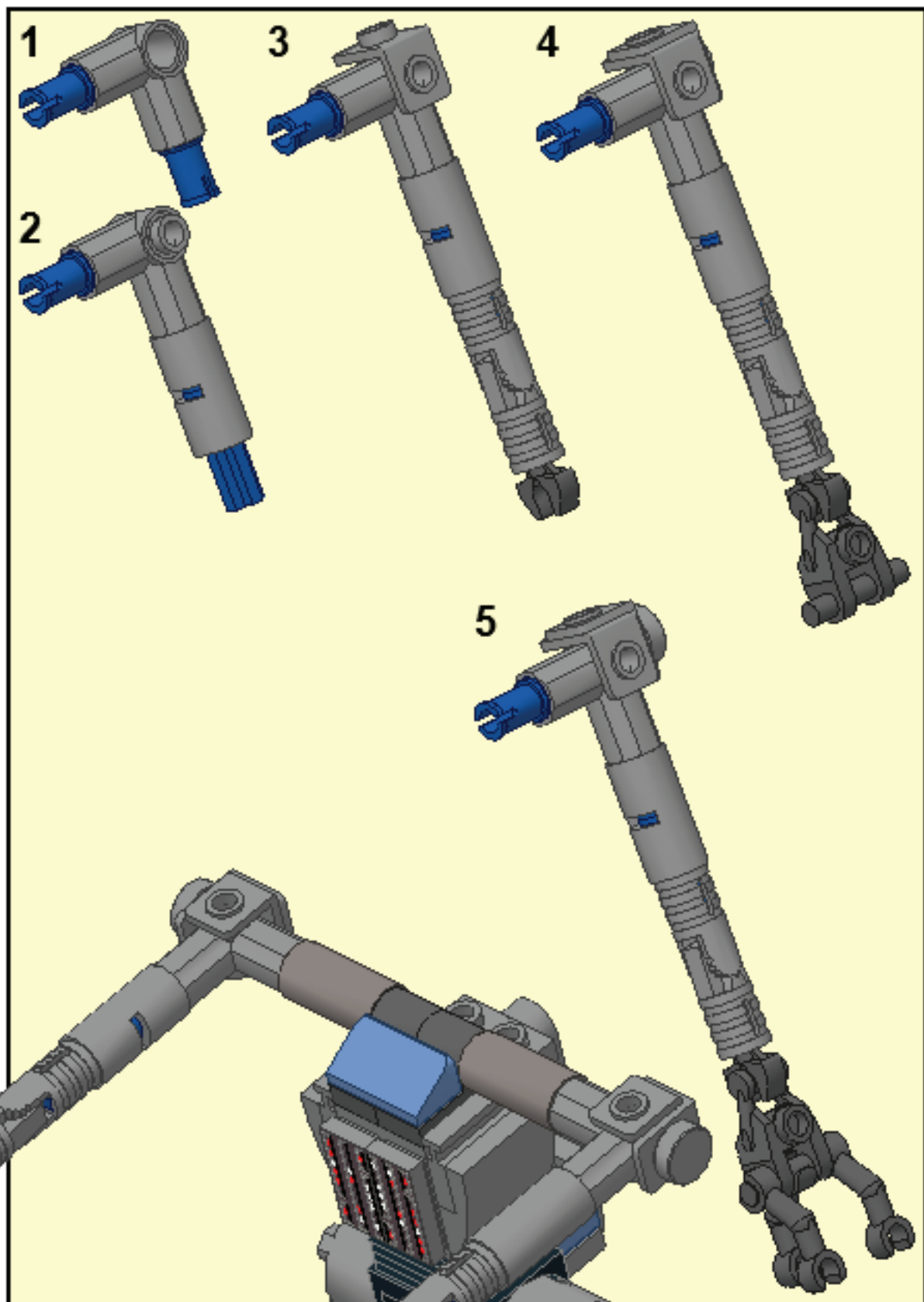
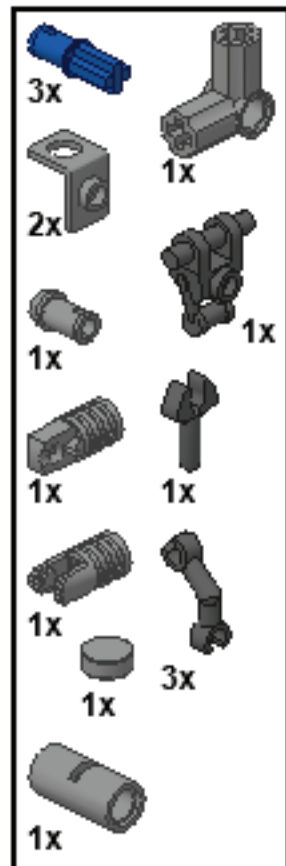
15










16

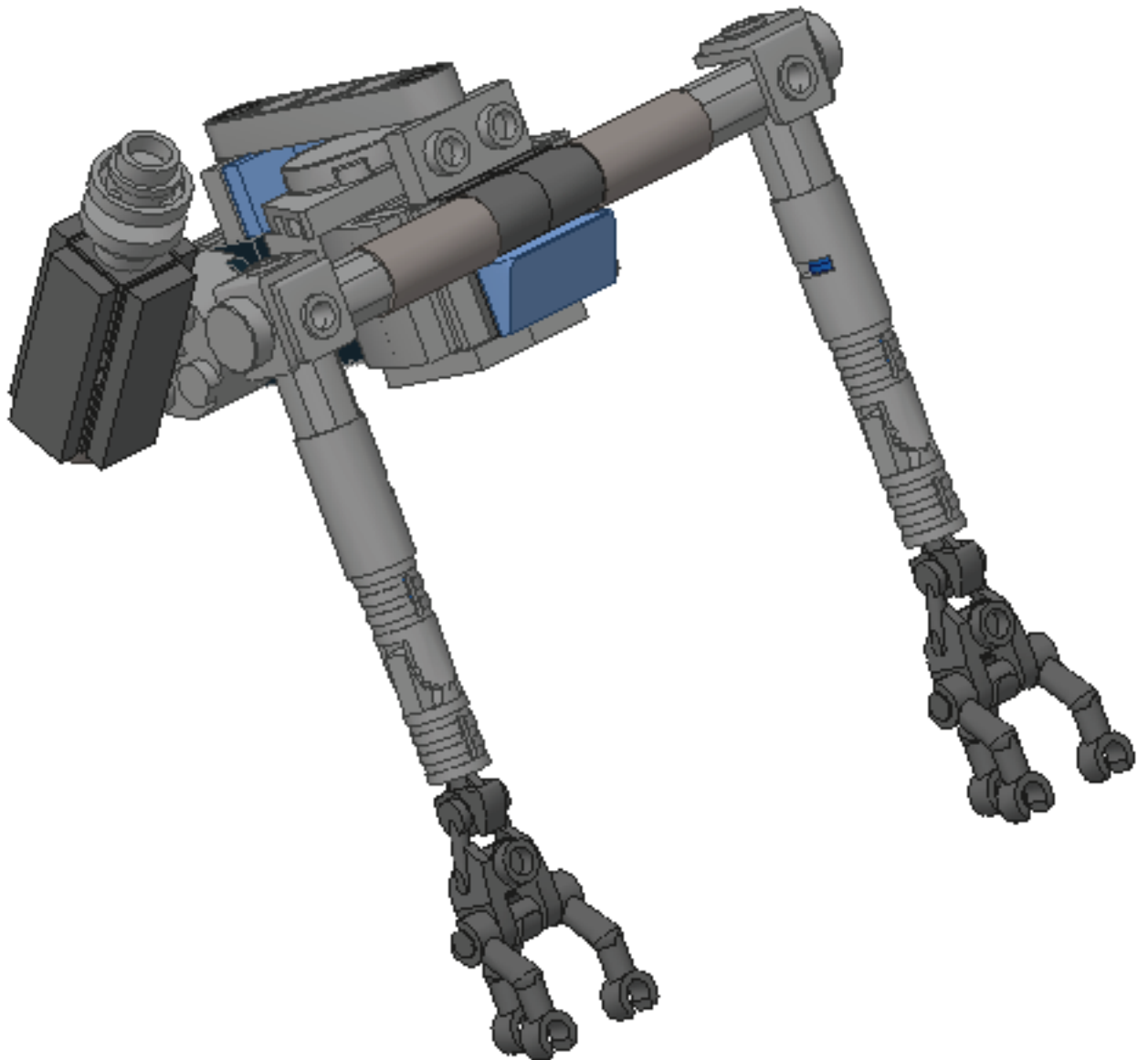
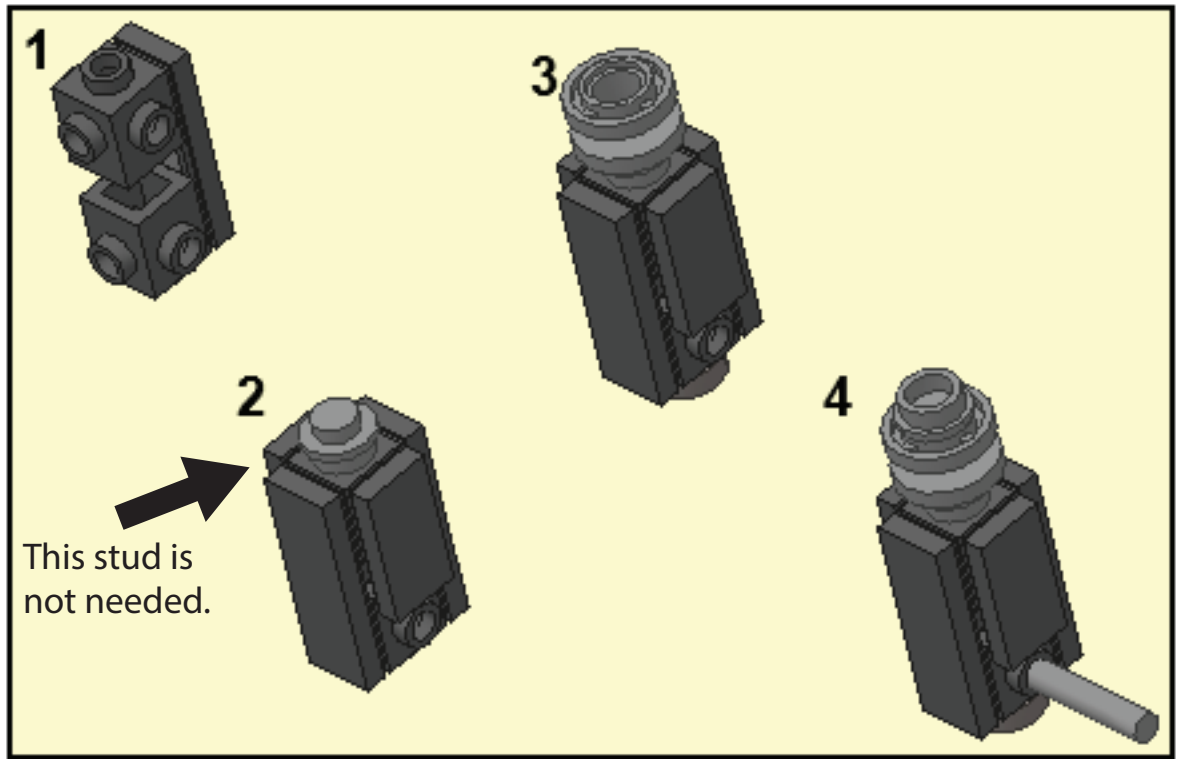


17

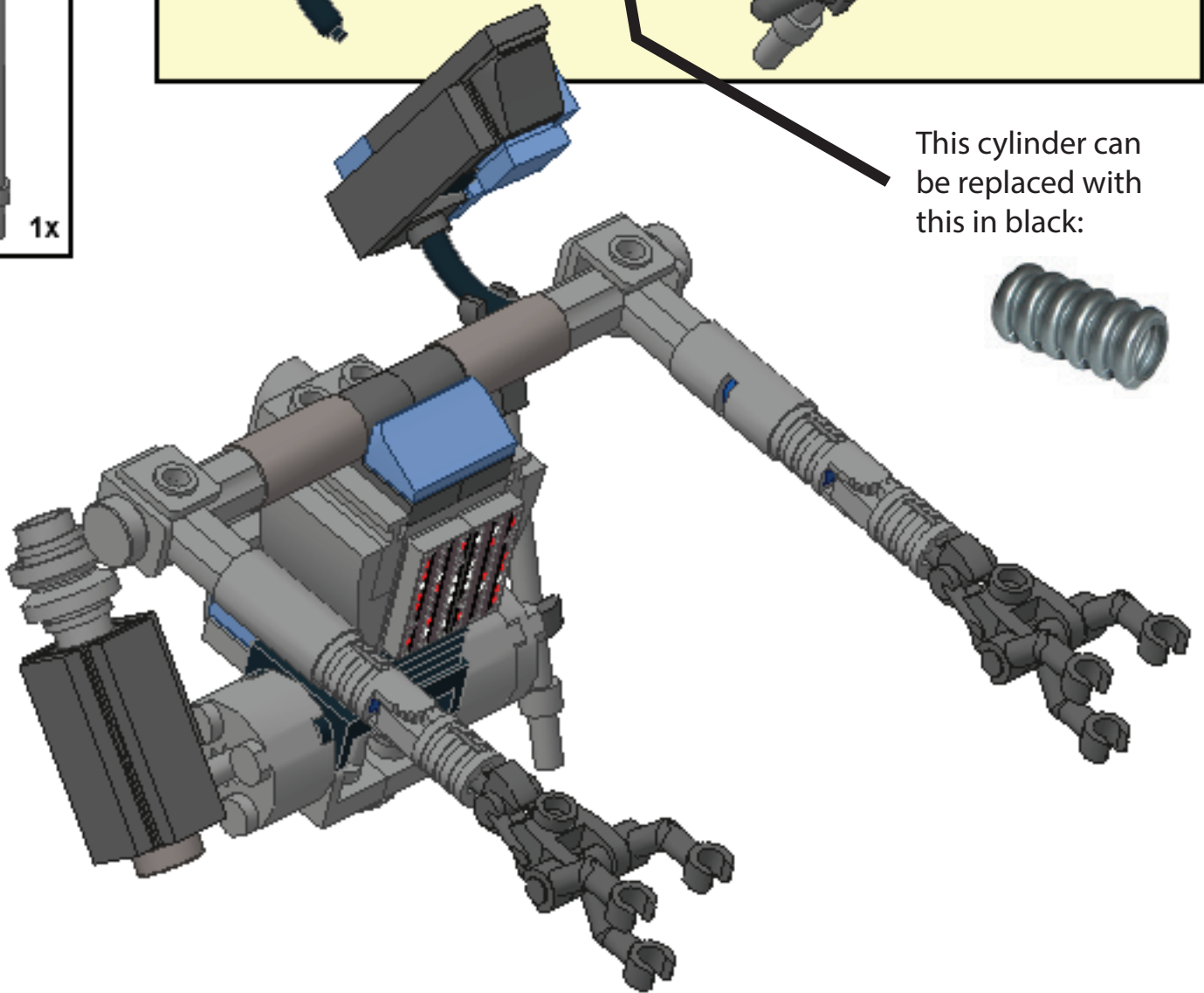
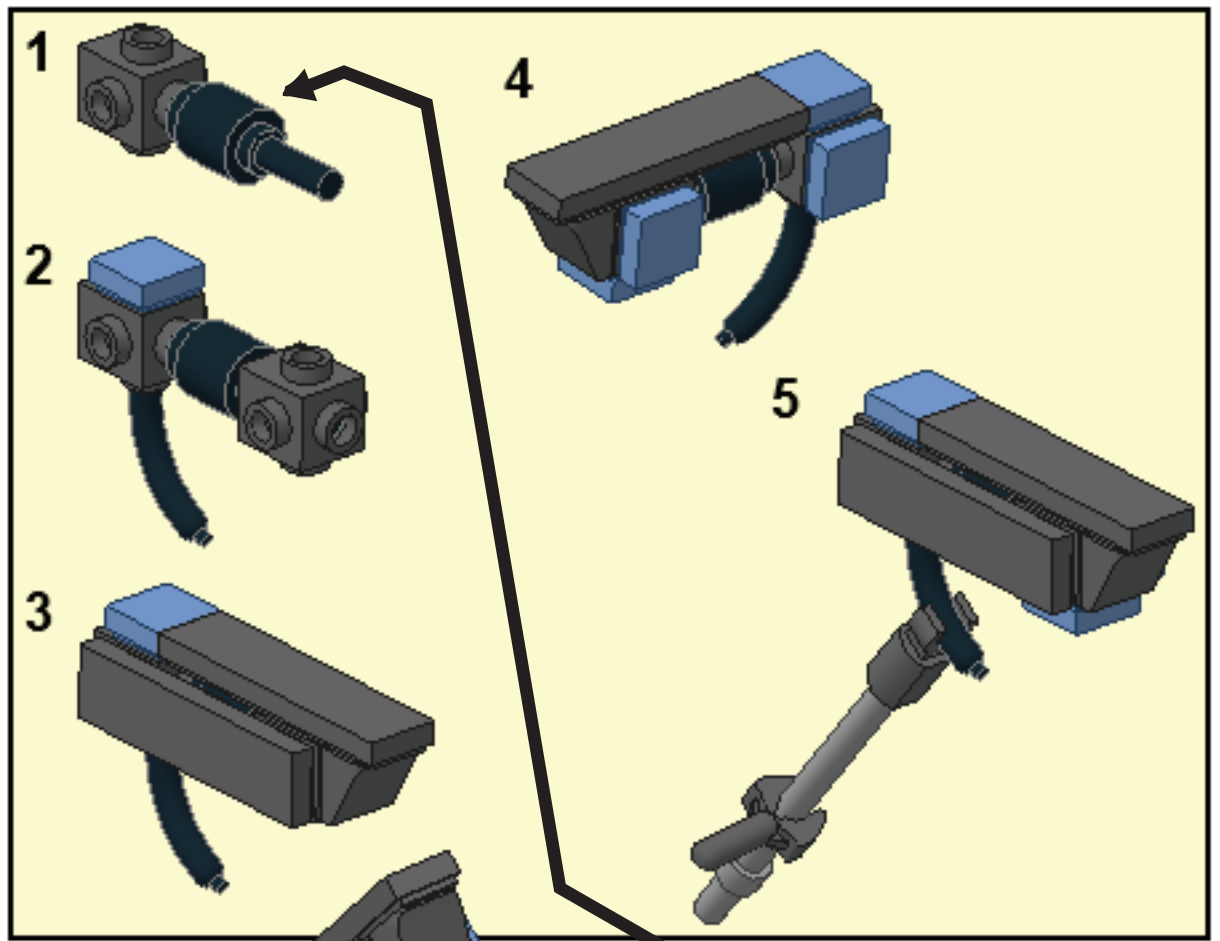
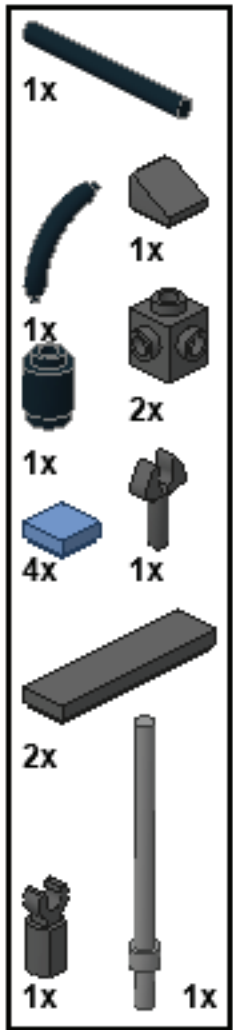


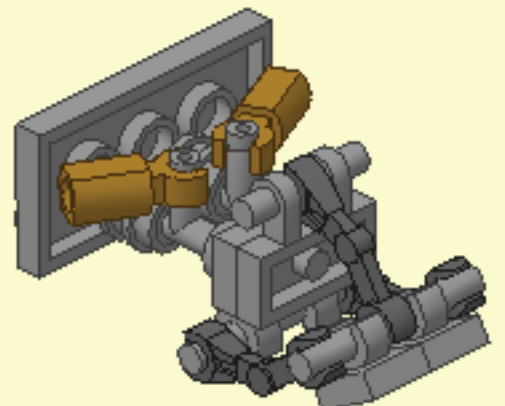
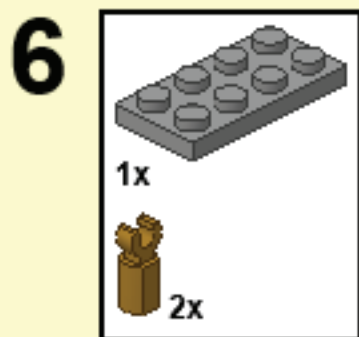
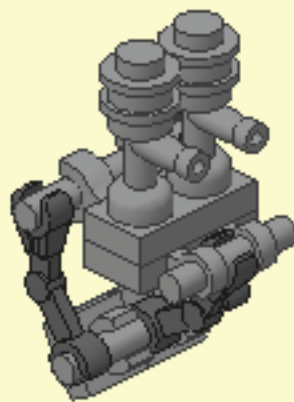
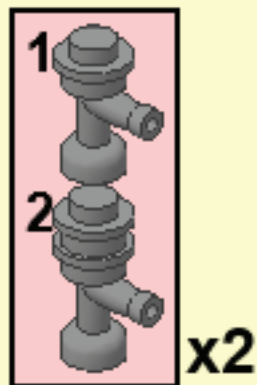
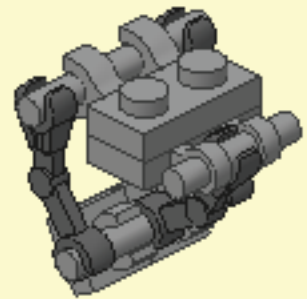
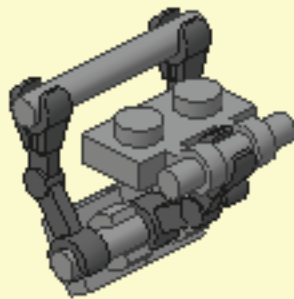
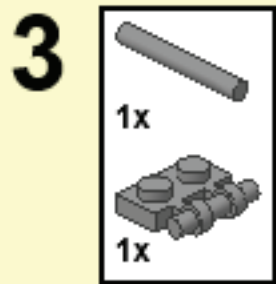
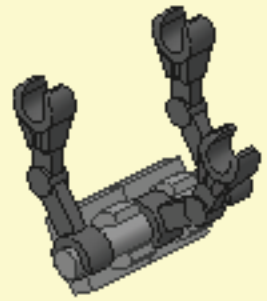
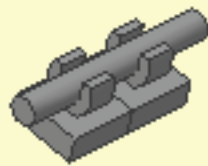
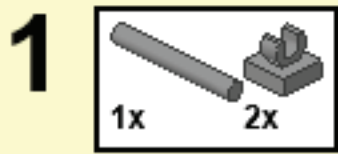
18

- 1x 
- 1x 
- 2x 
- 3x 
- 1x 
- 2x 
- 1x 

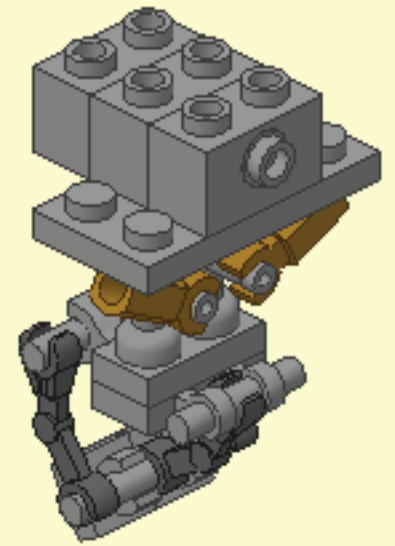
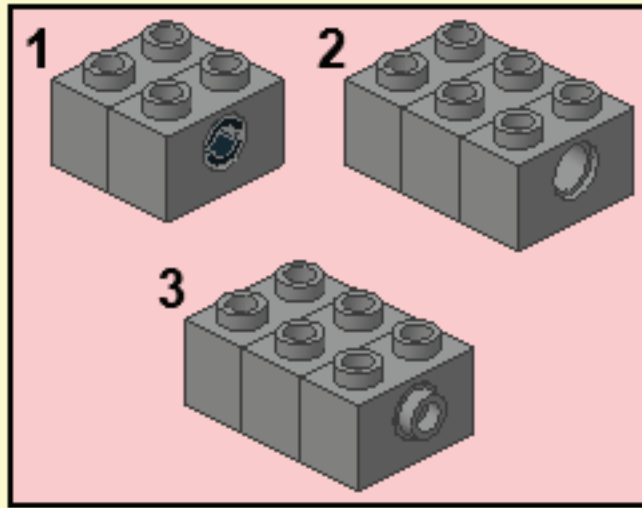
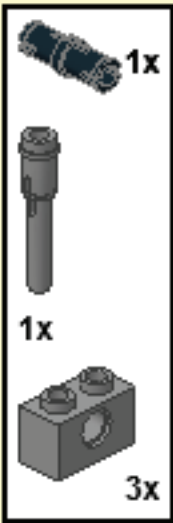


19

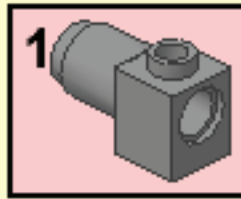
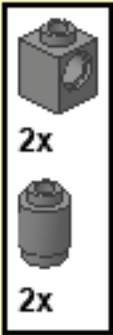




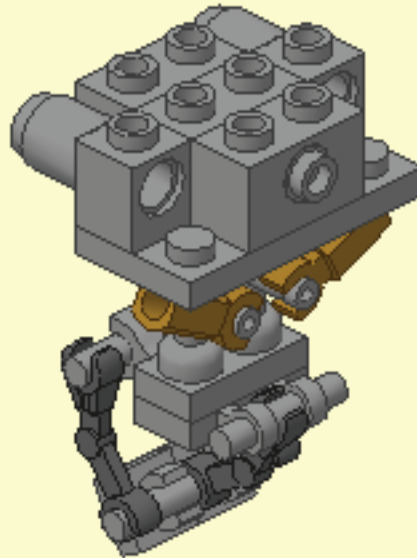
7



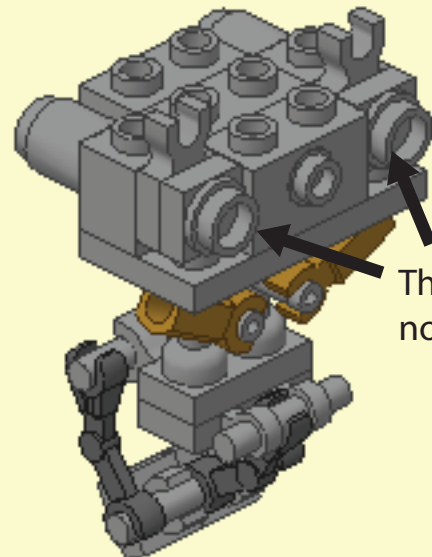
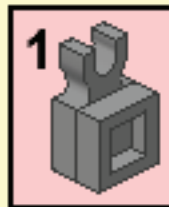
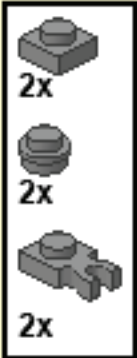
8



x2

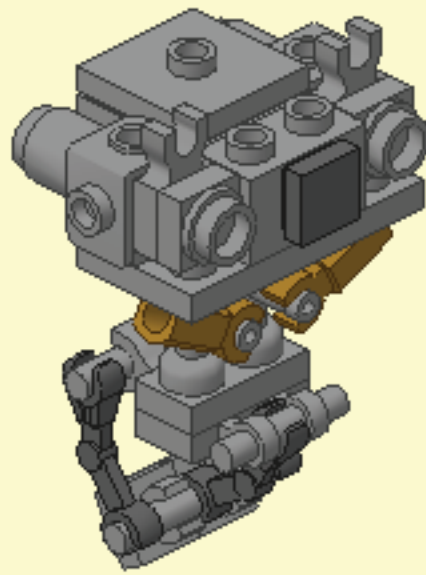
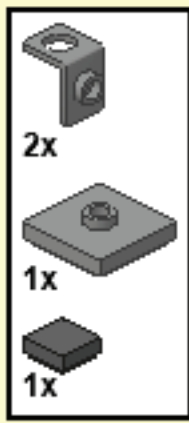


9

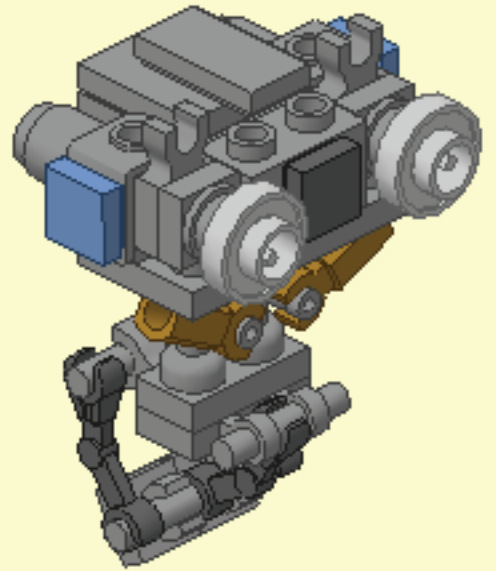
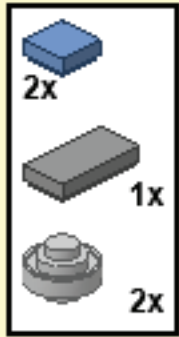


These studs are not needed.

10



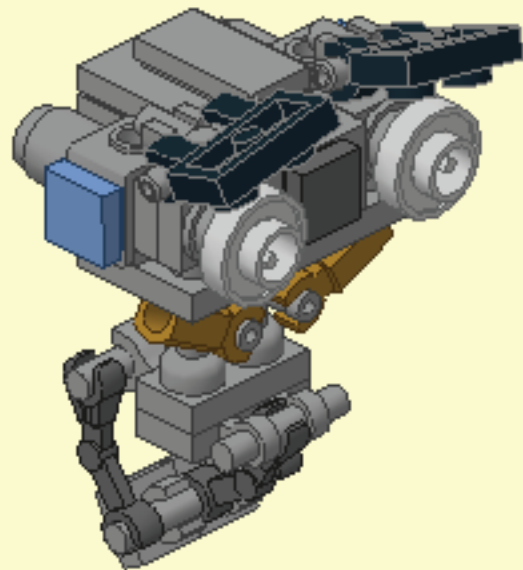
11



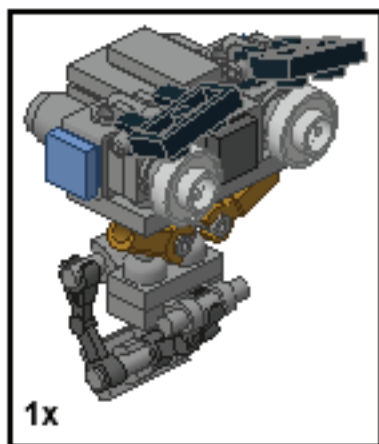
12



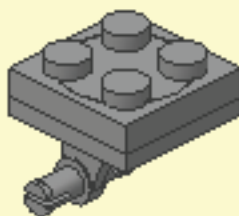
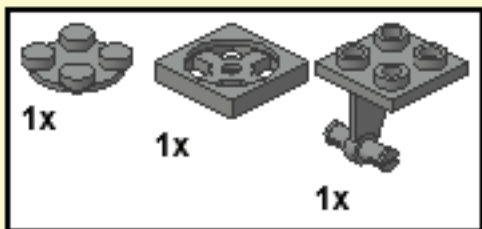
x2



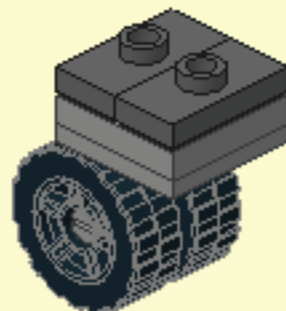
20



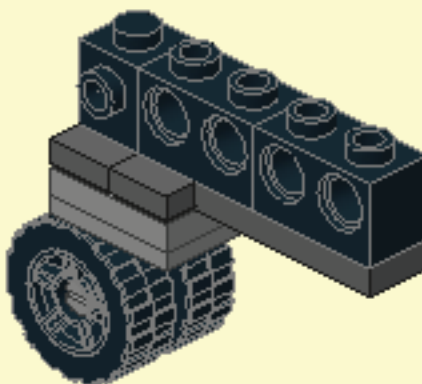
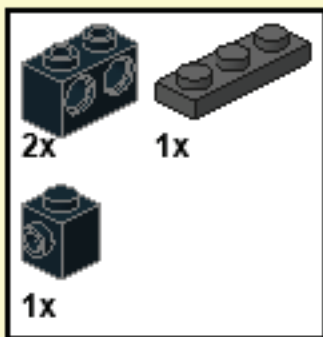
1



2



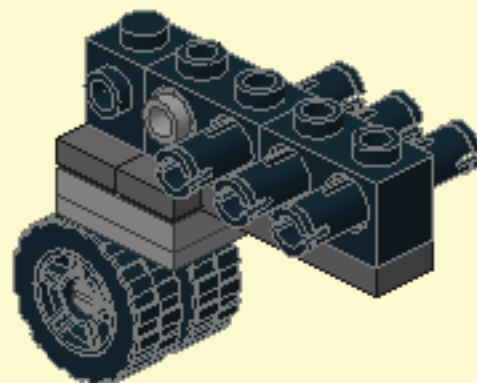
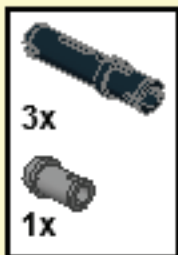
3



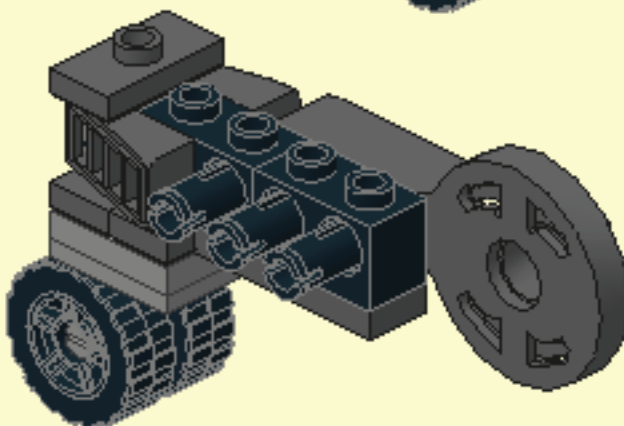
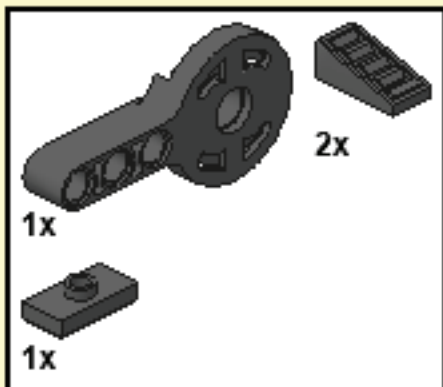
Replace these 1x2
technic bricks with 2
of these and ignore
Step 4:



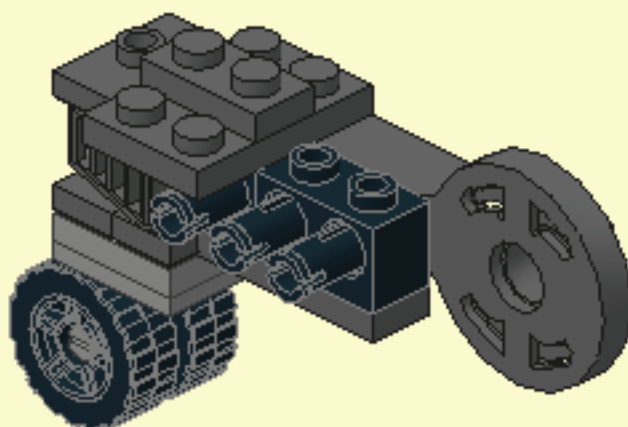
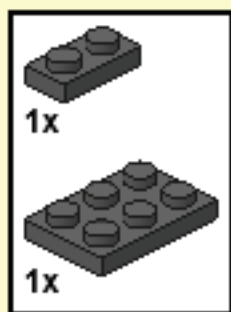
4



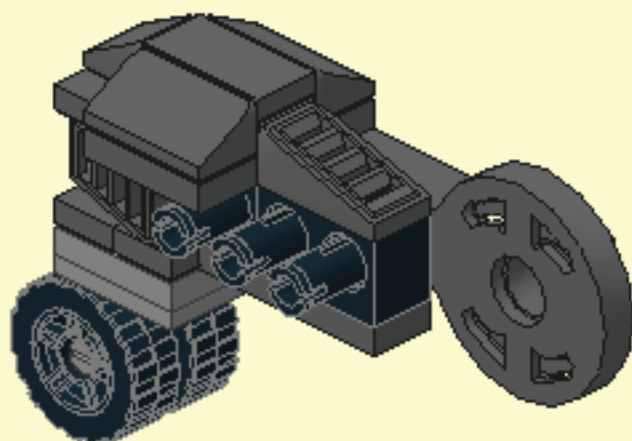
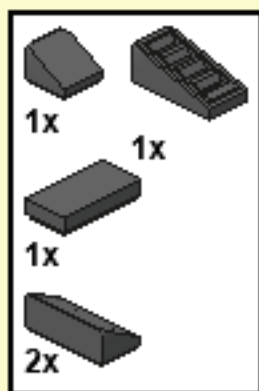
5



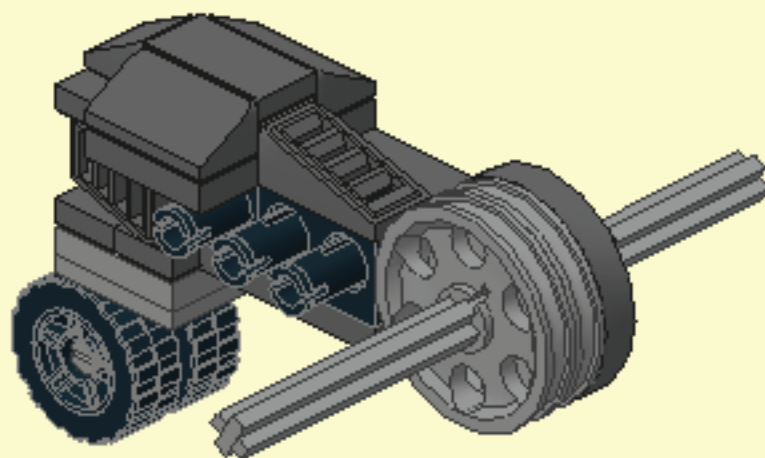
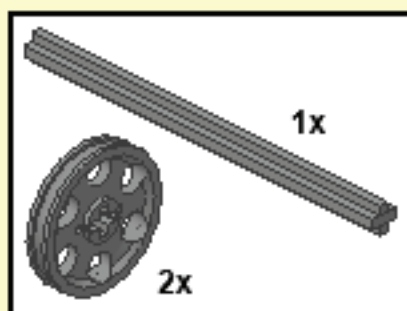
6



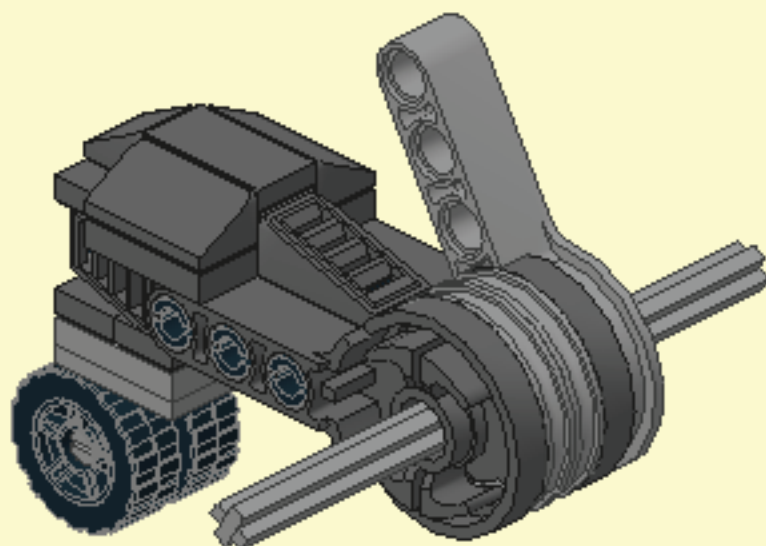
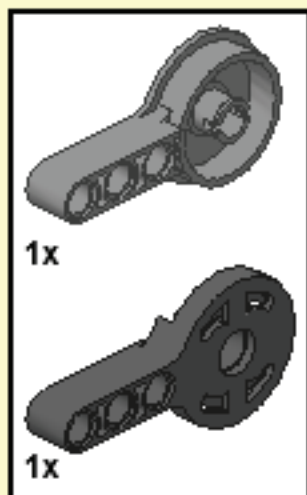
7



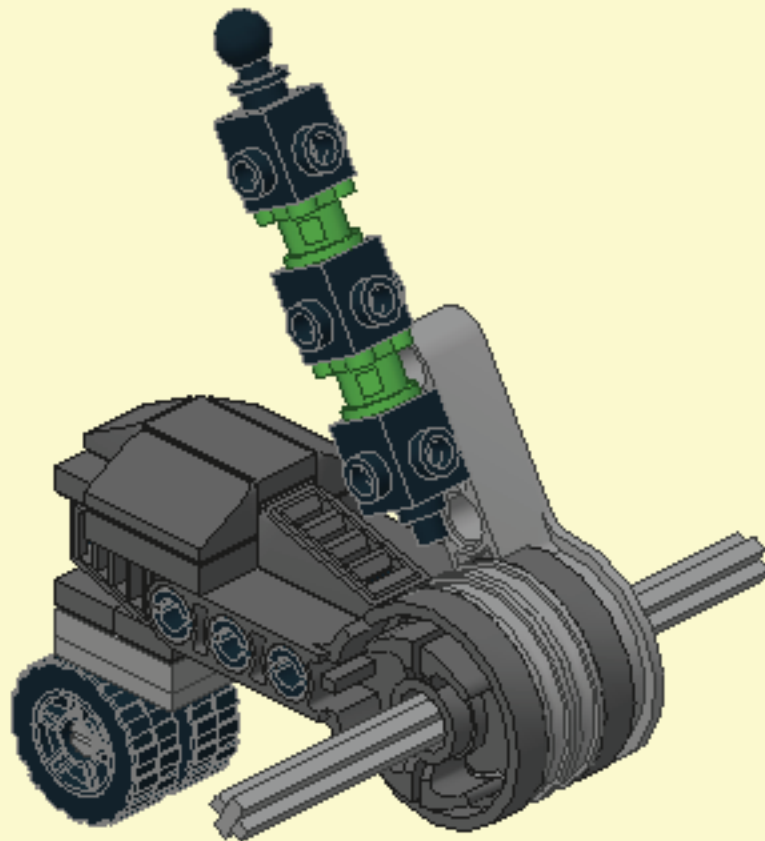
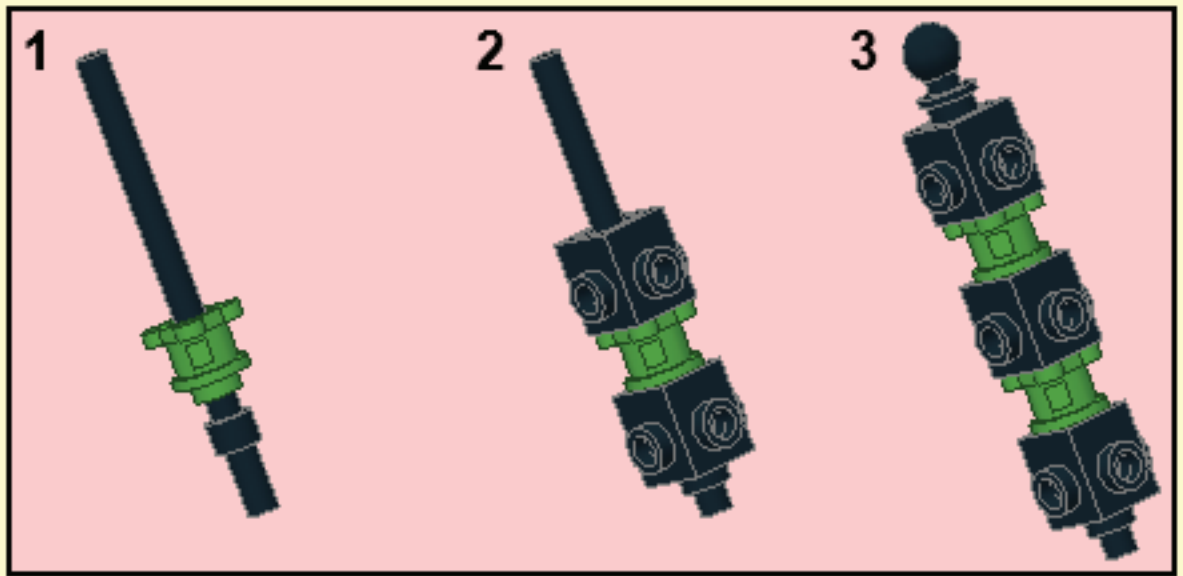
8



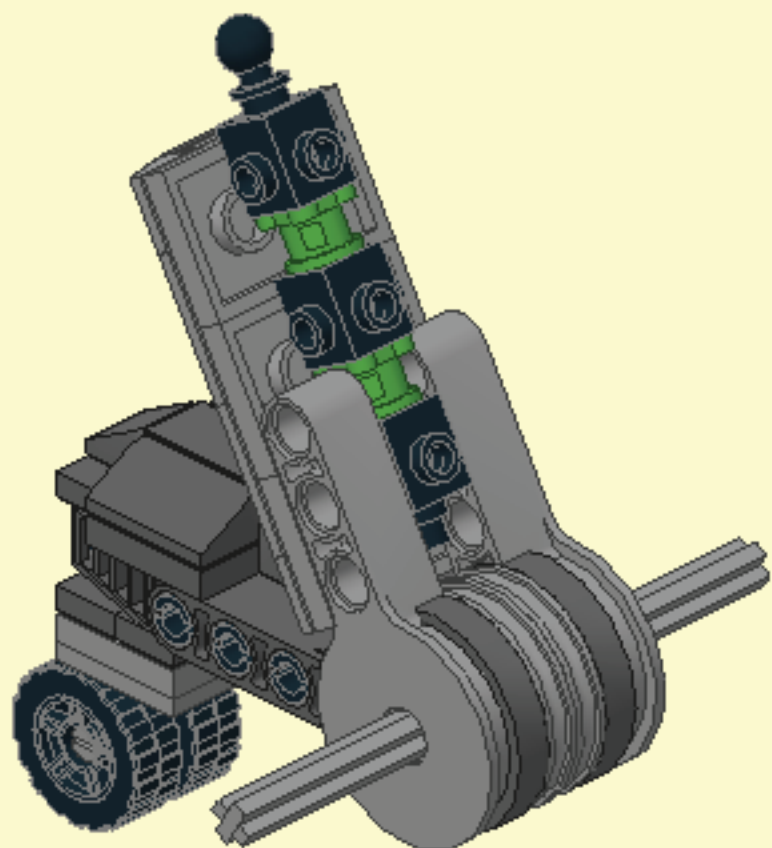
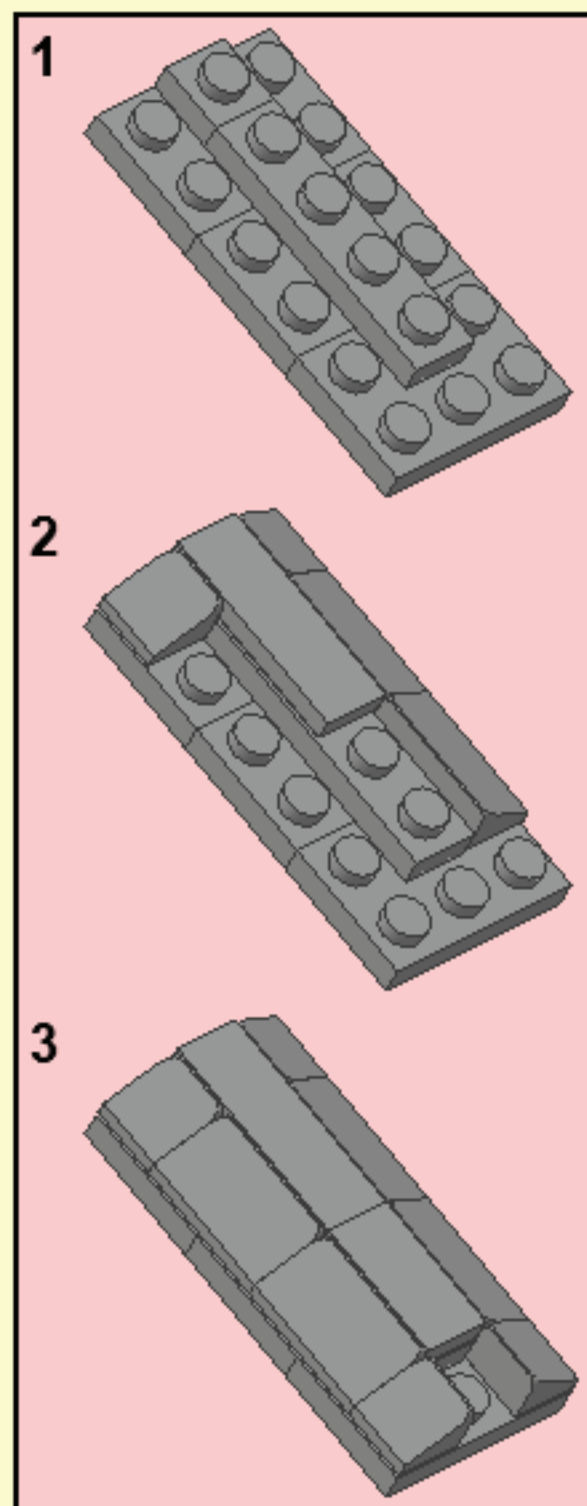
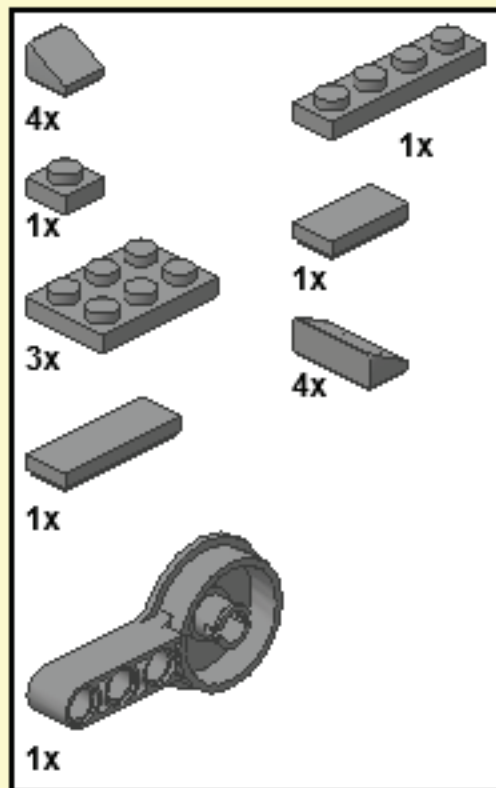
9



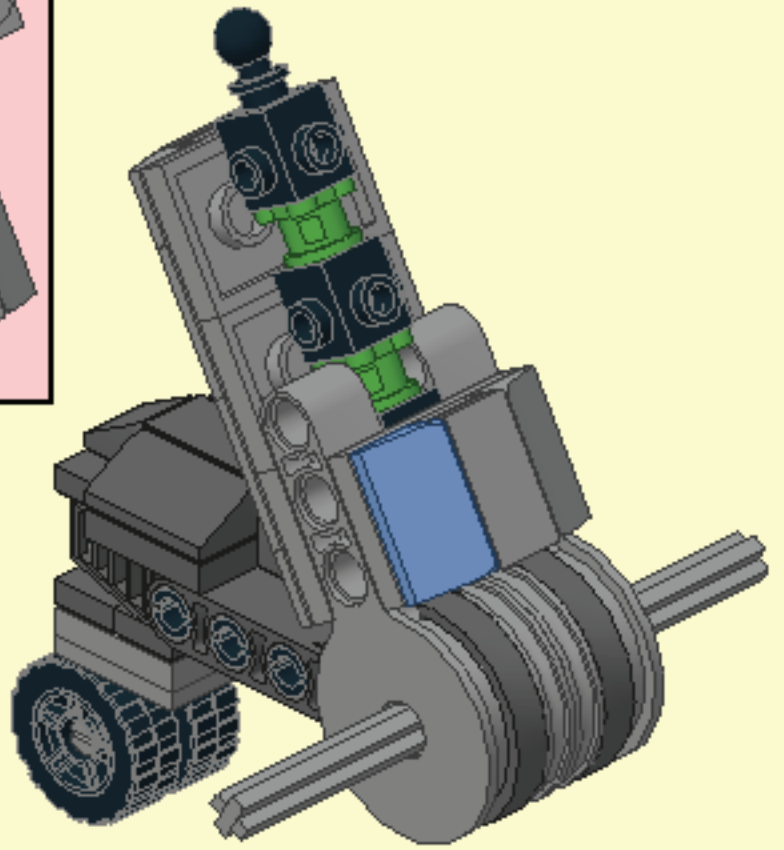
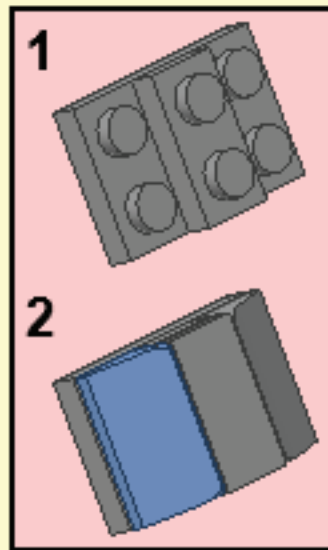
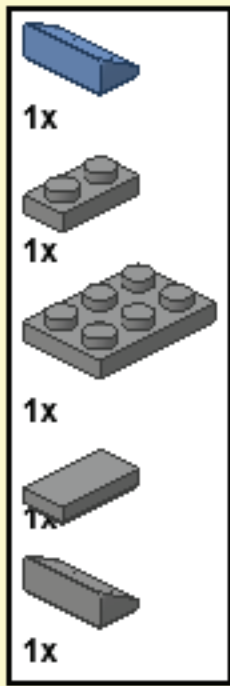
10



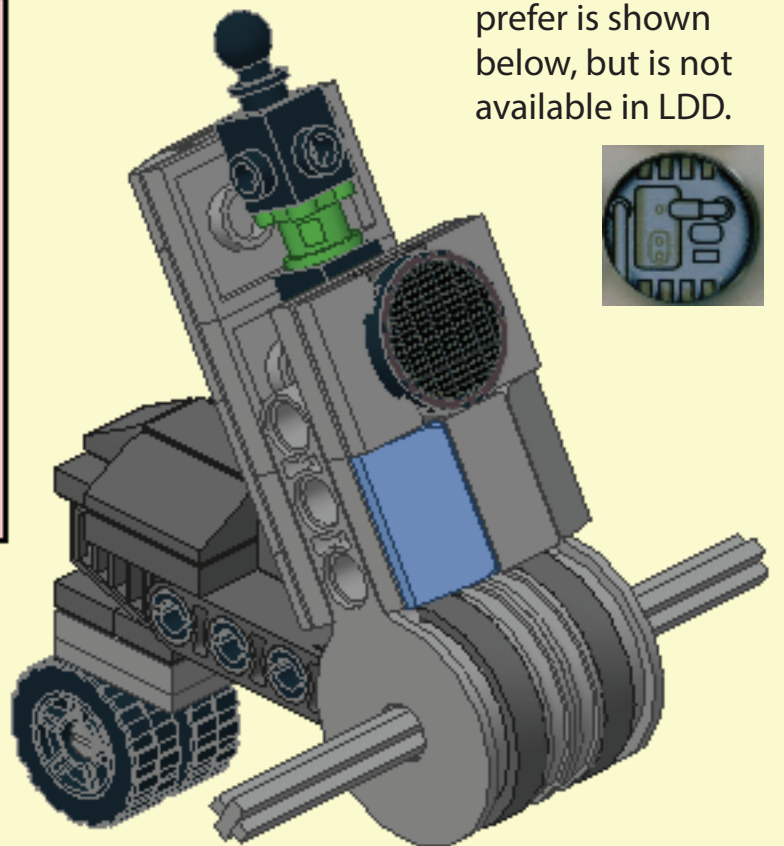
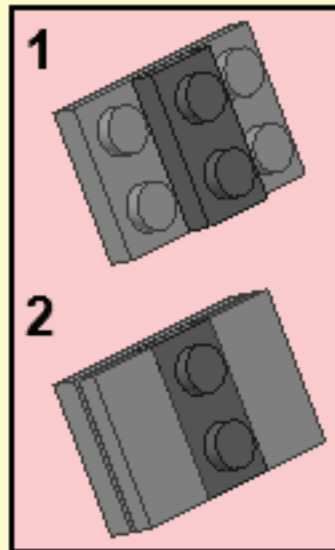
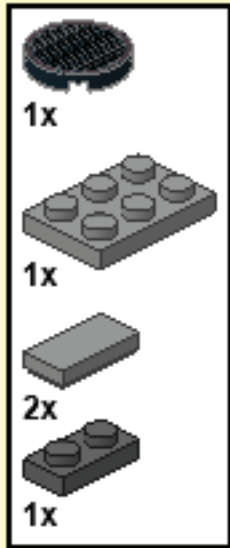
11



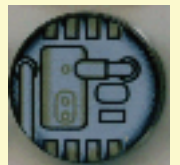
12



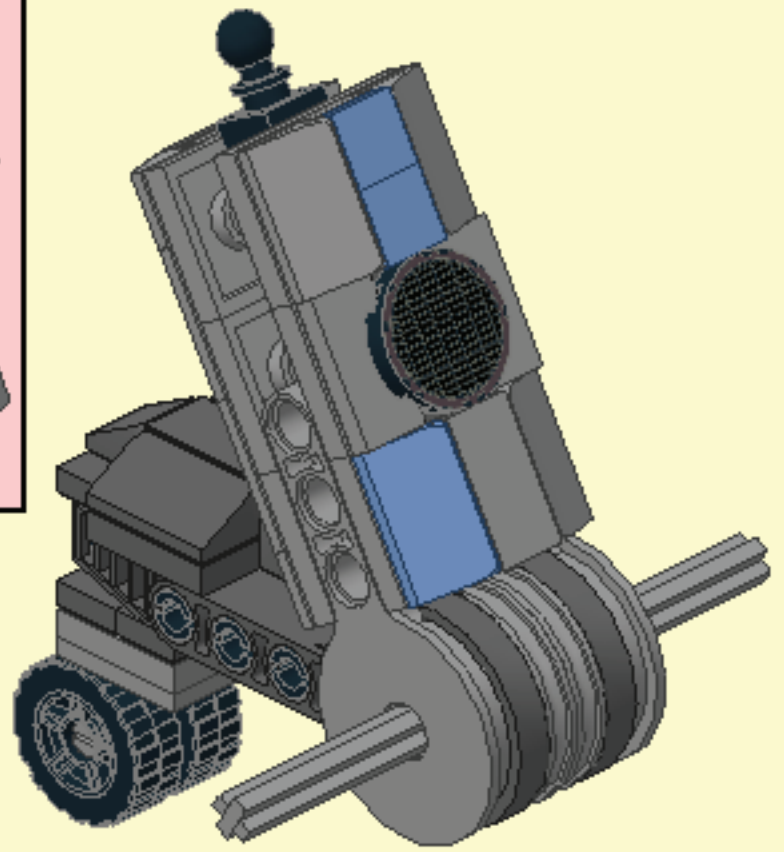
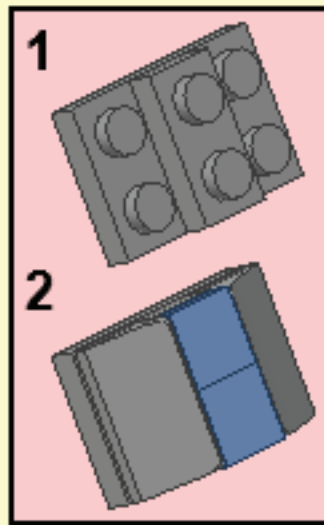
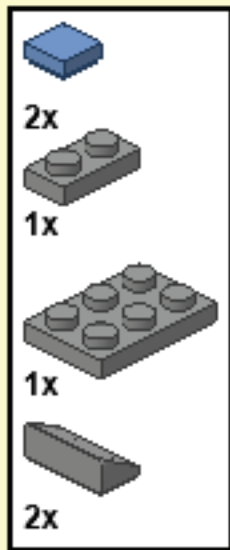
13



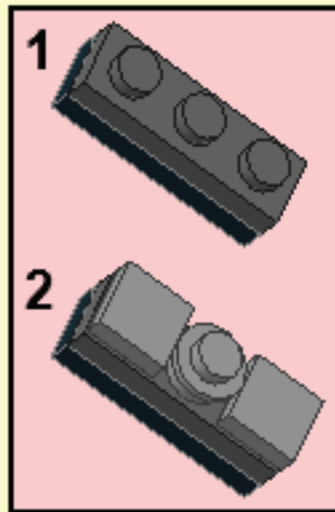
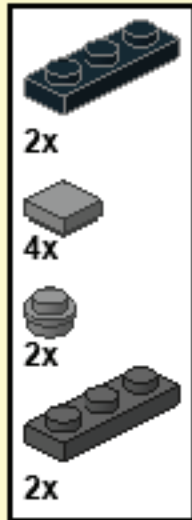
The printed tile I prefer is shown below, but is not available in LDD.



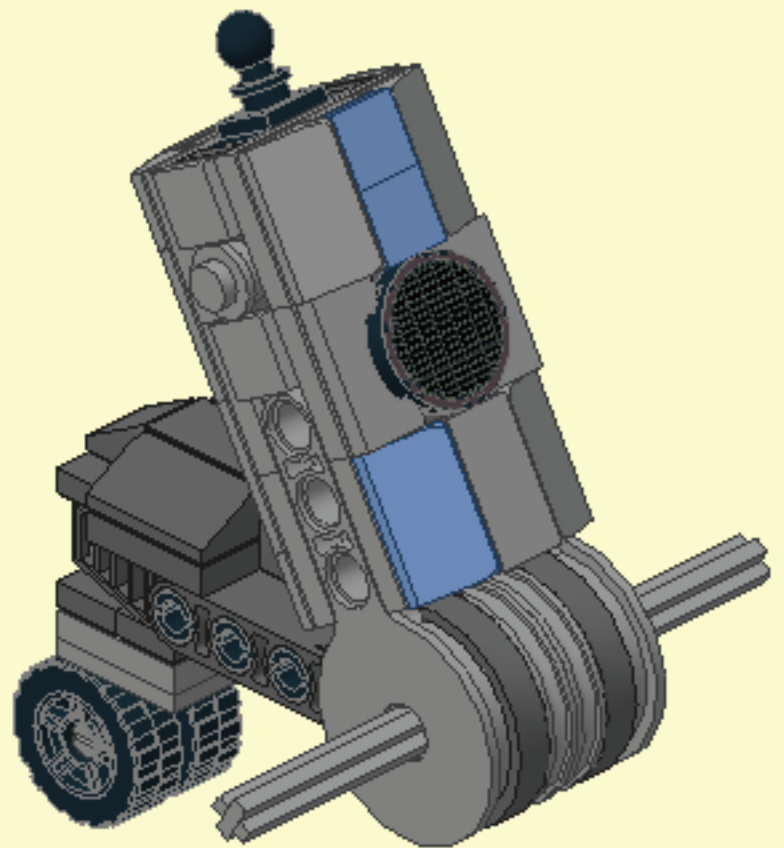
14



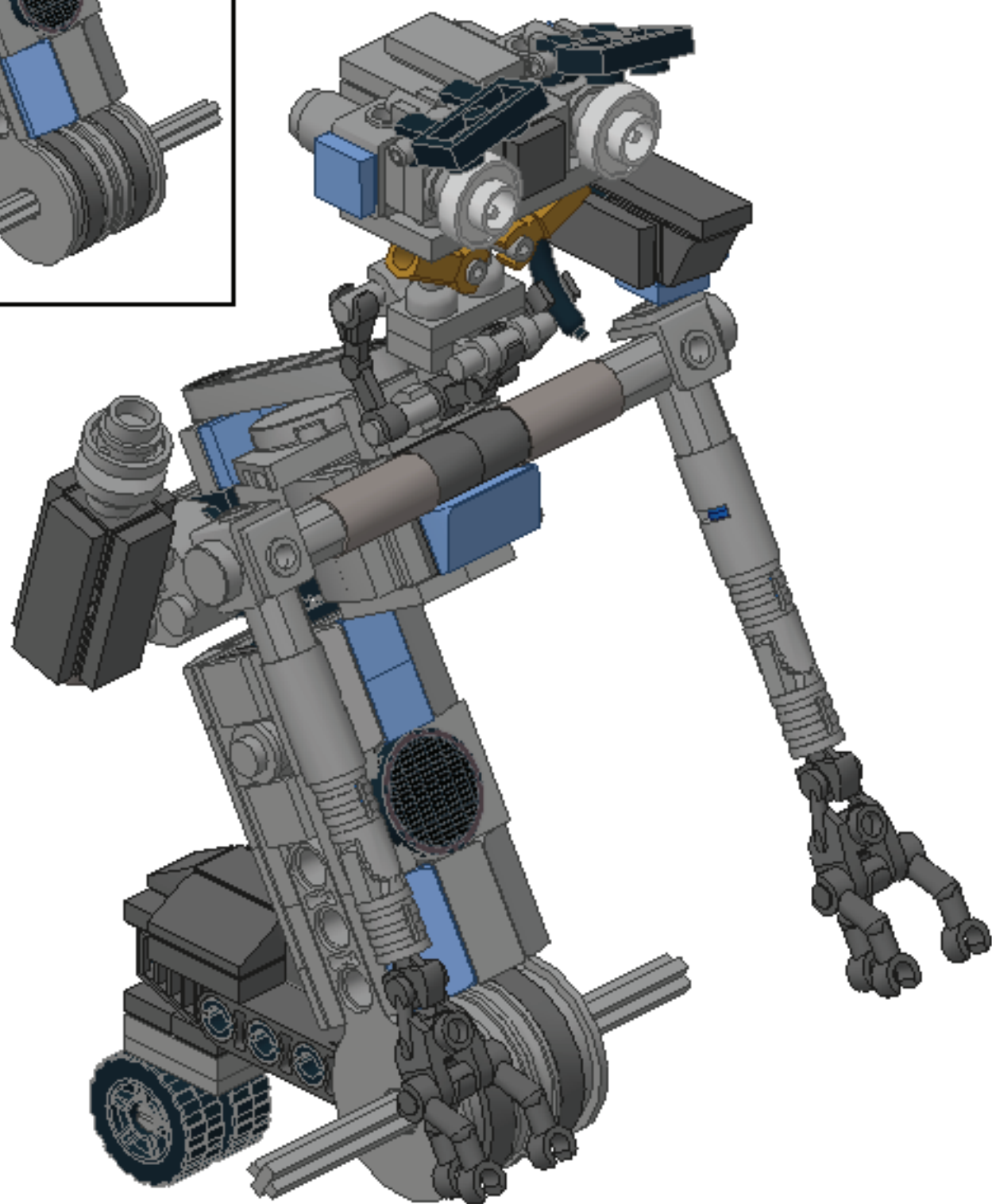
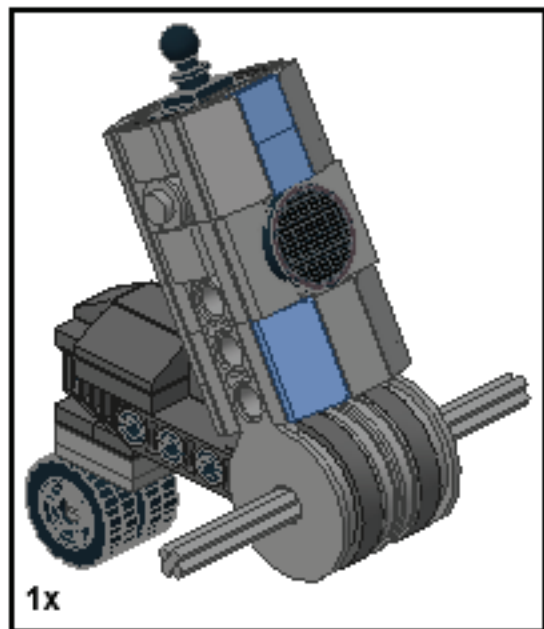
15



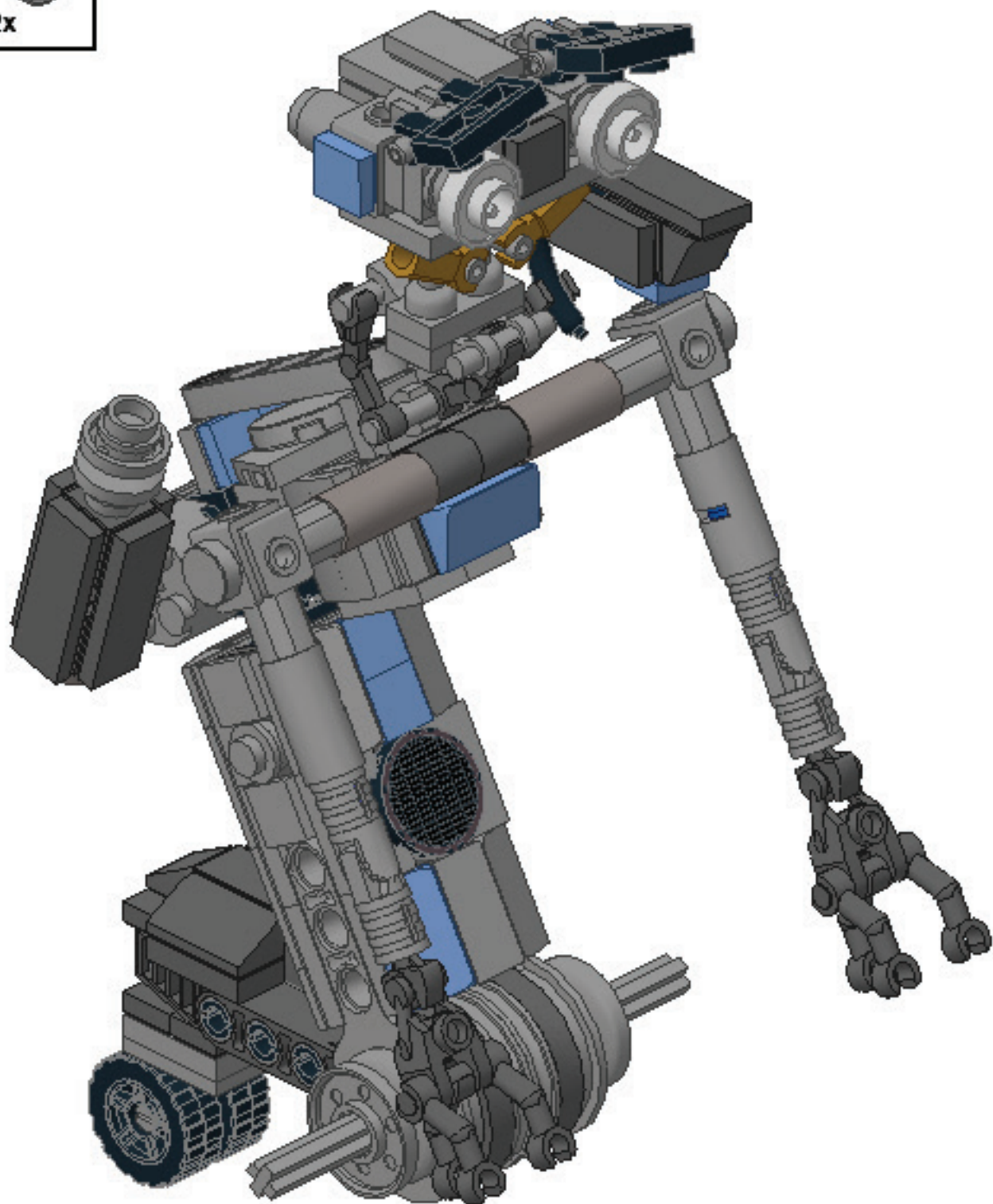
x2



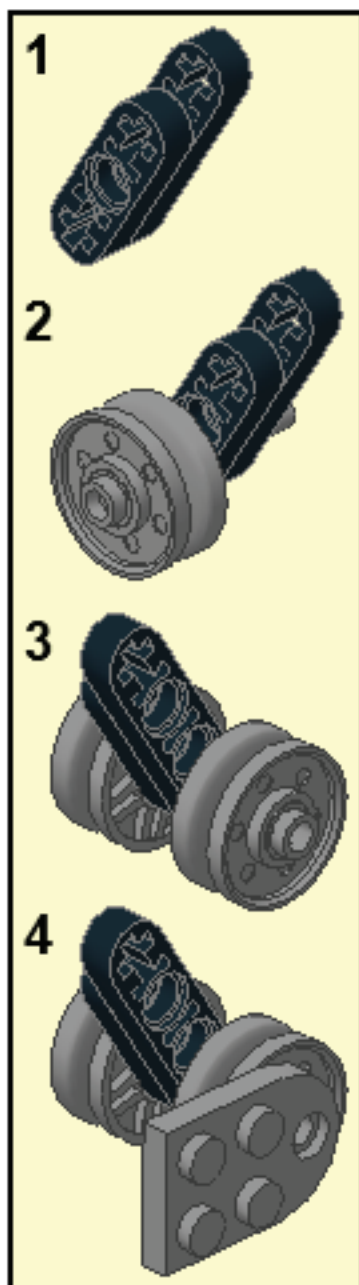
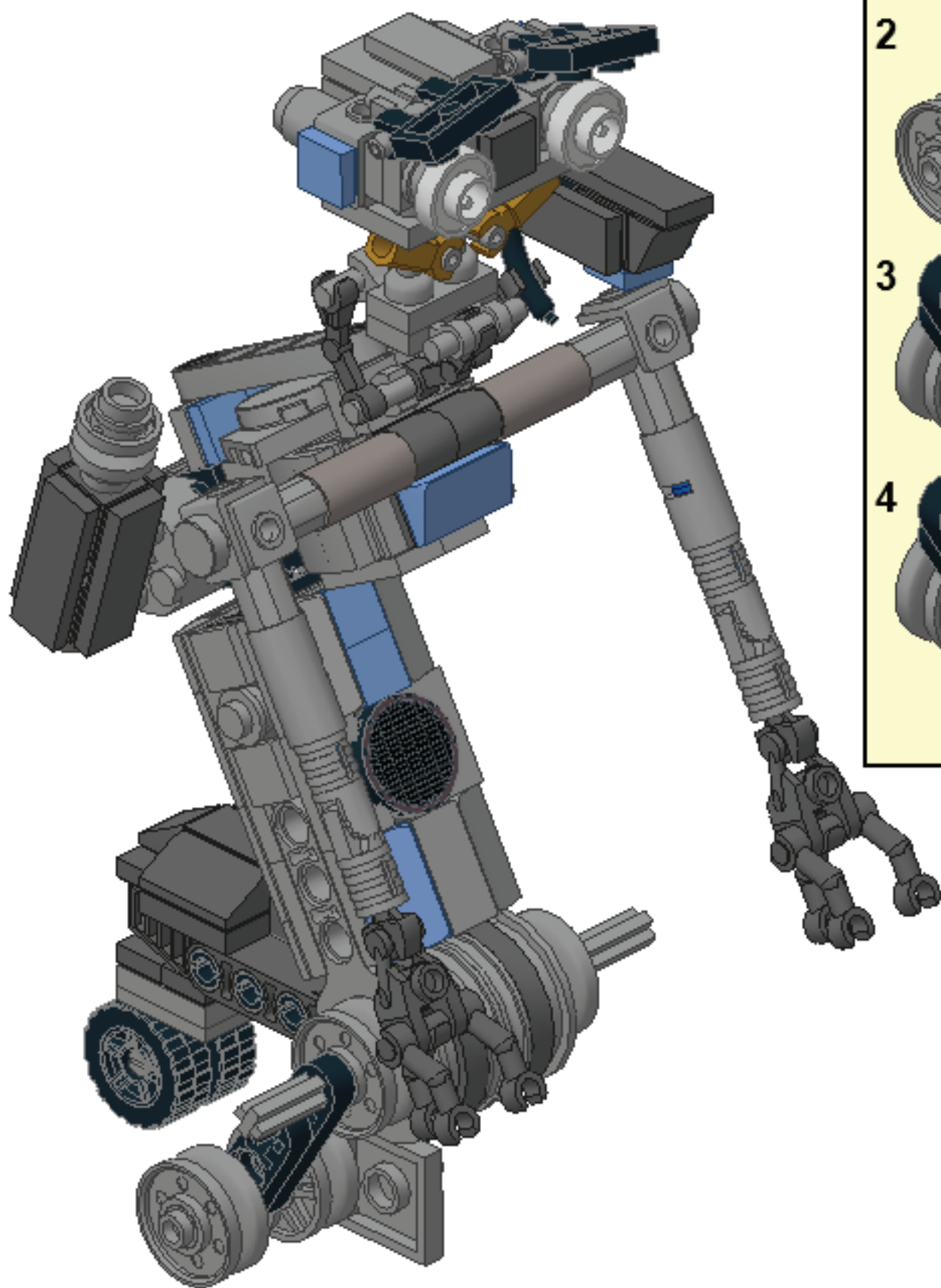
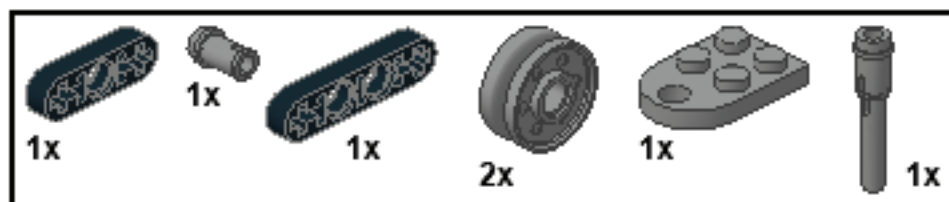
21

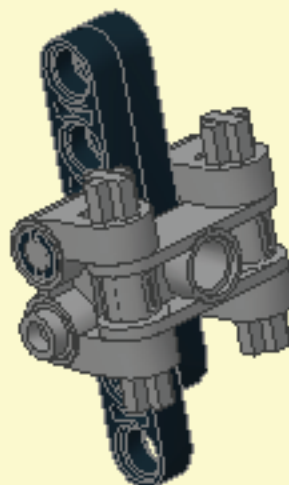
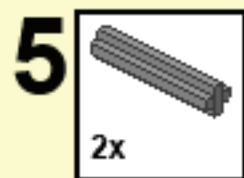
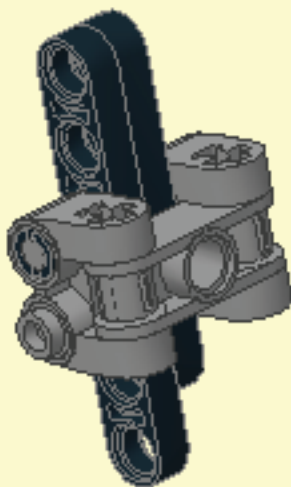
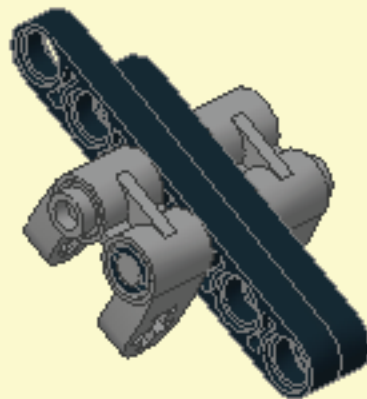
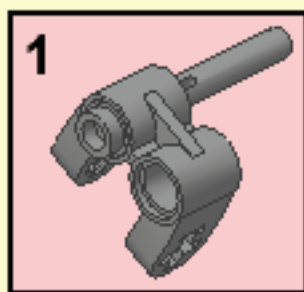
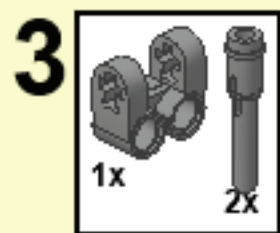
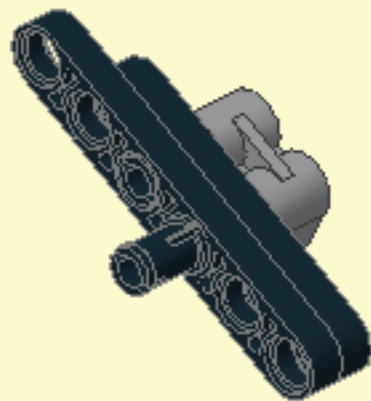
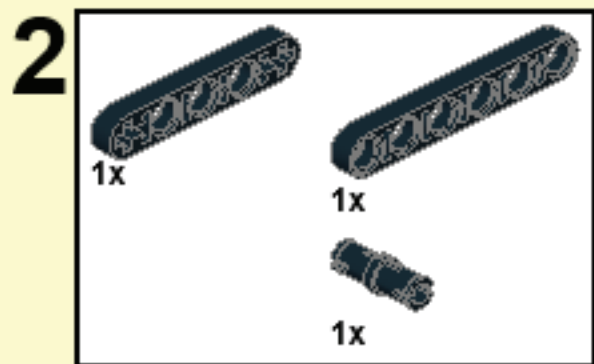
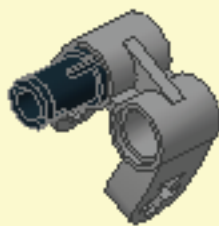
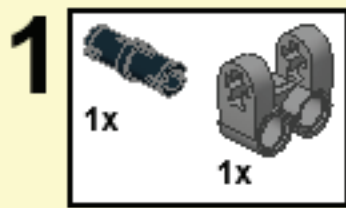


22

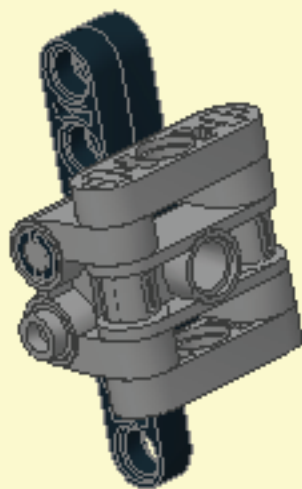


23

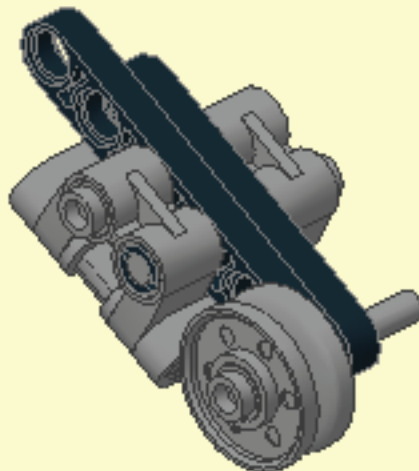
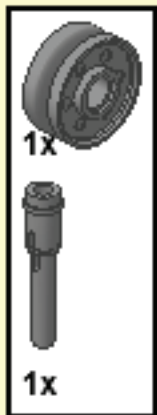




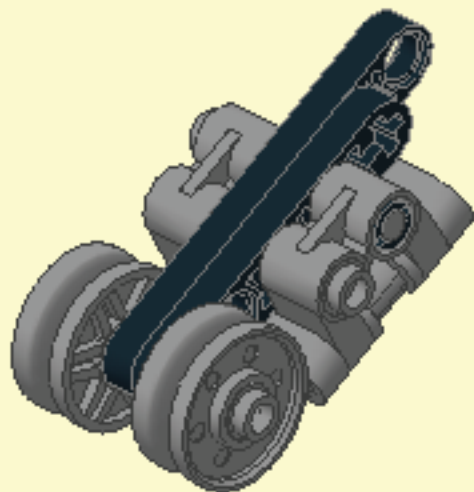
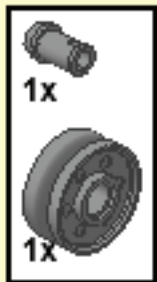
6



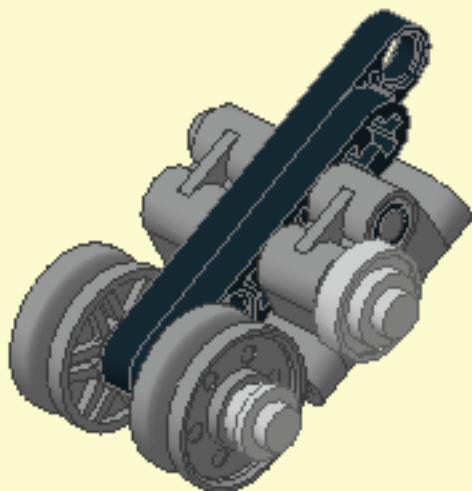
7



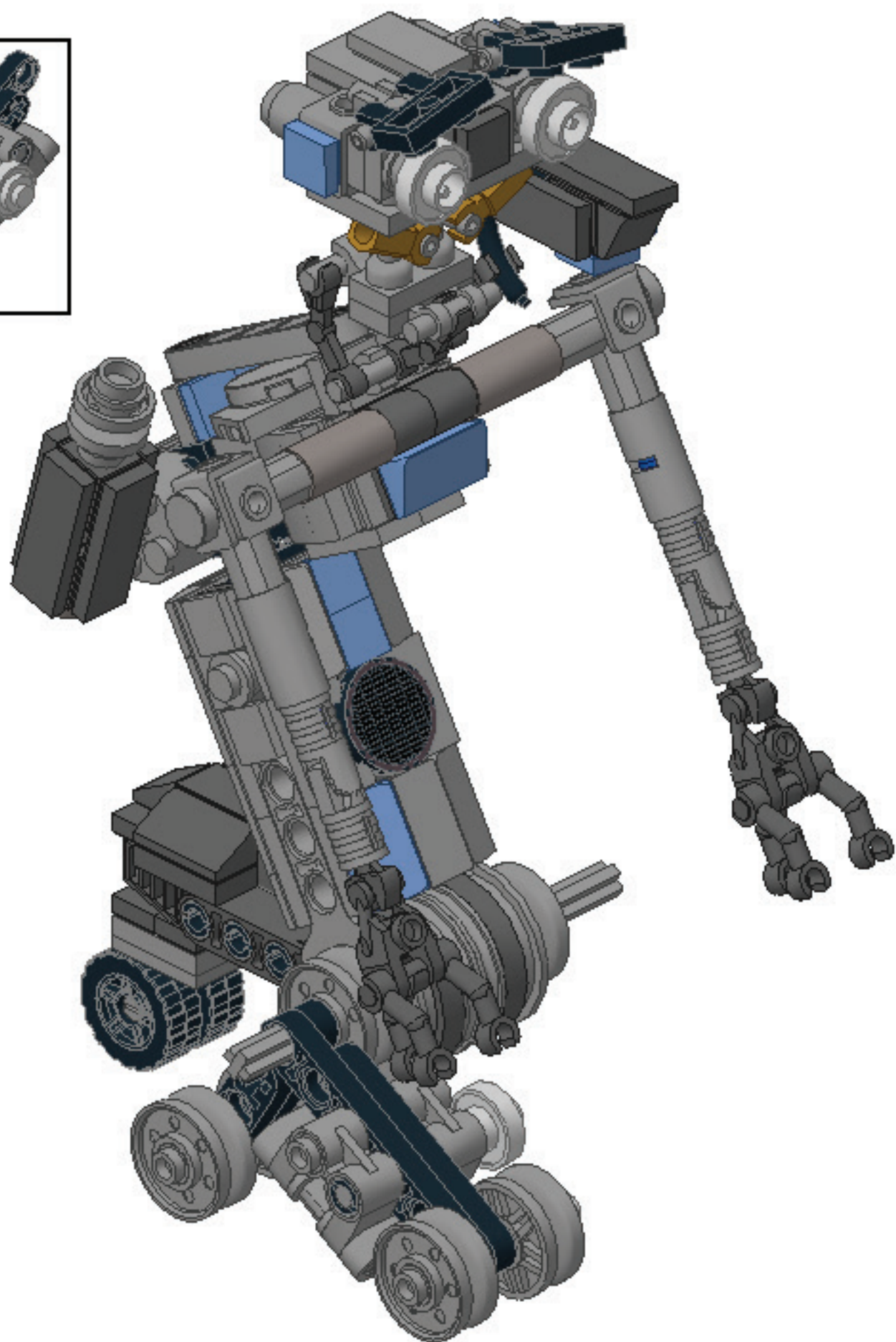
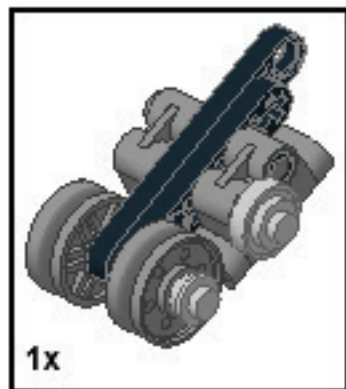
8



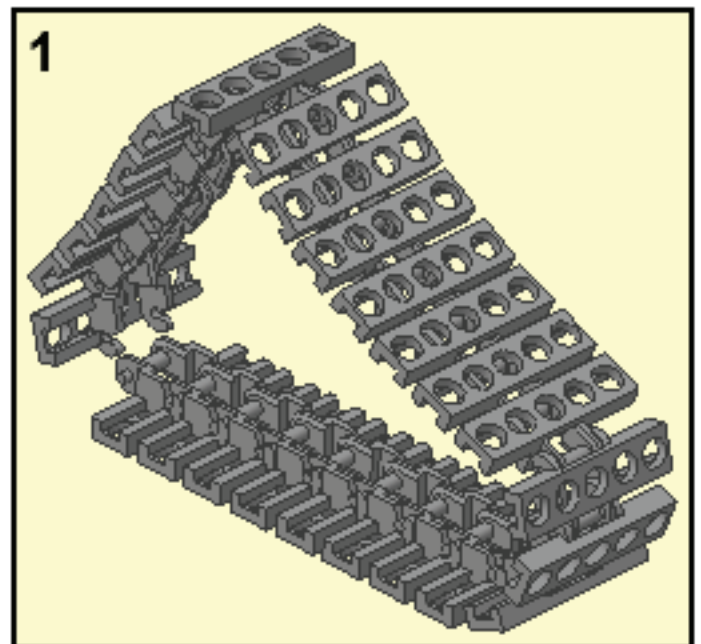
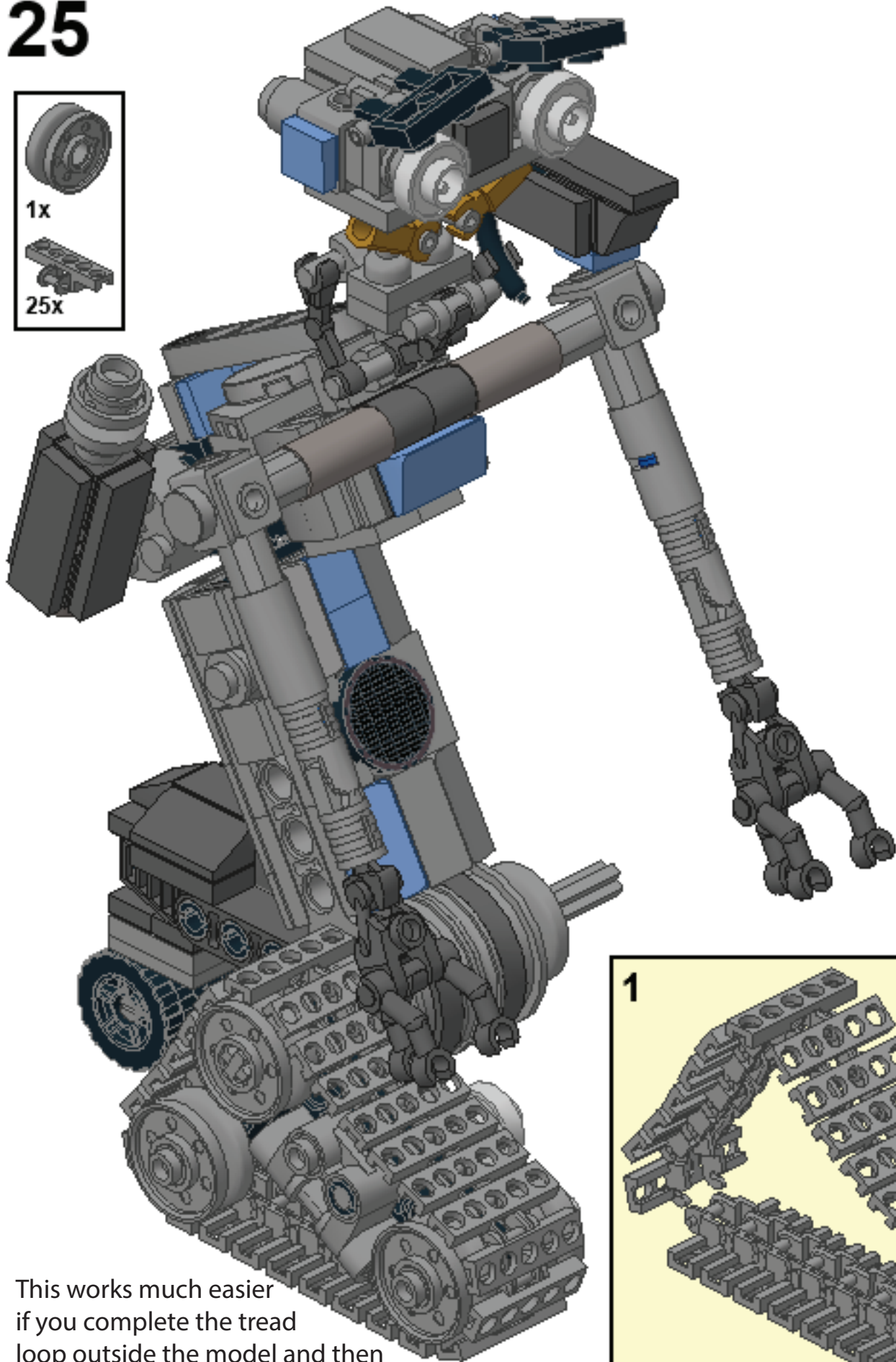
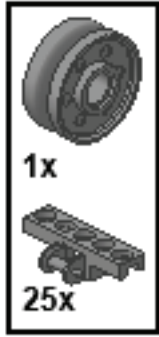
9



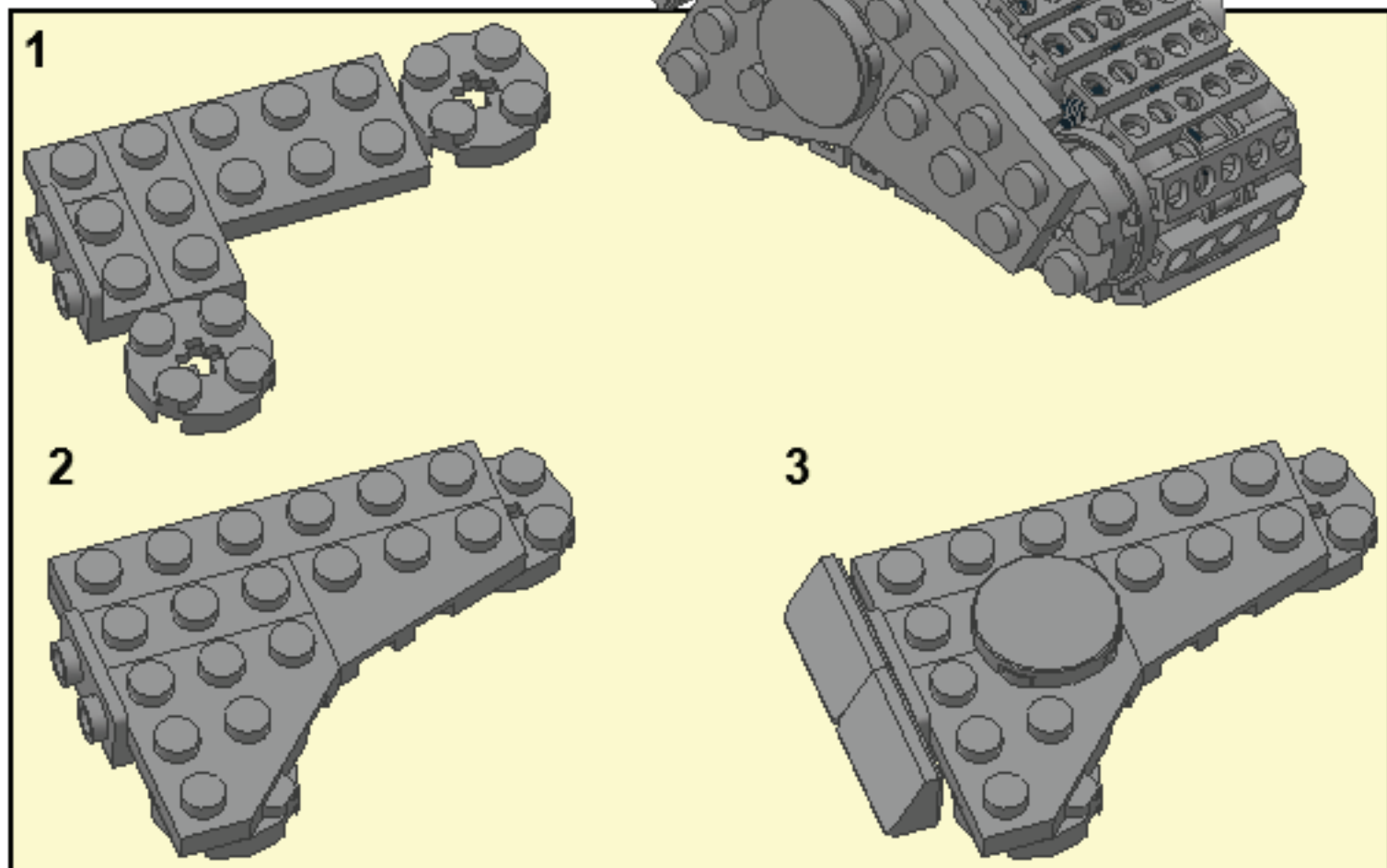
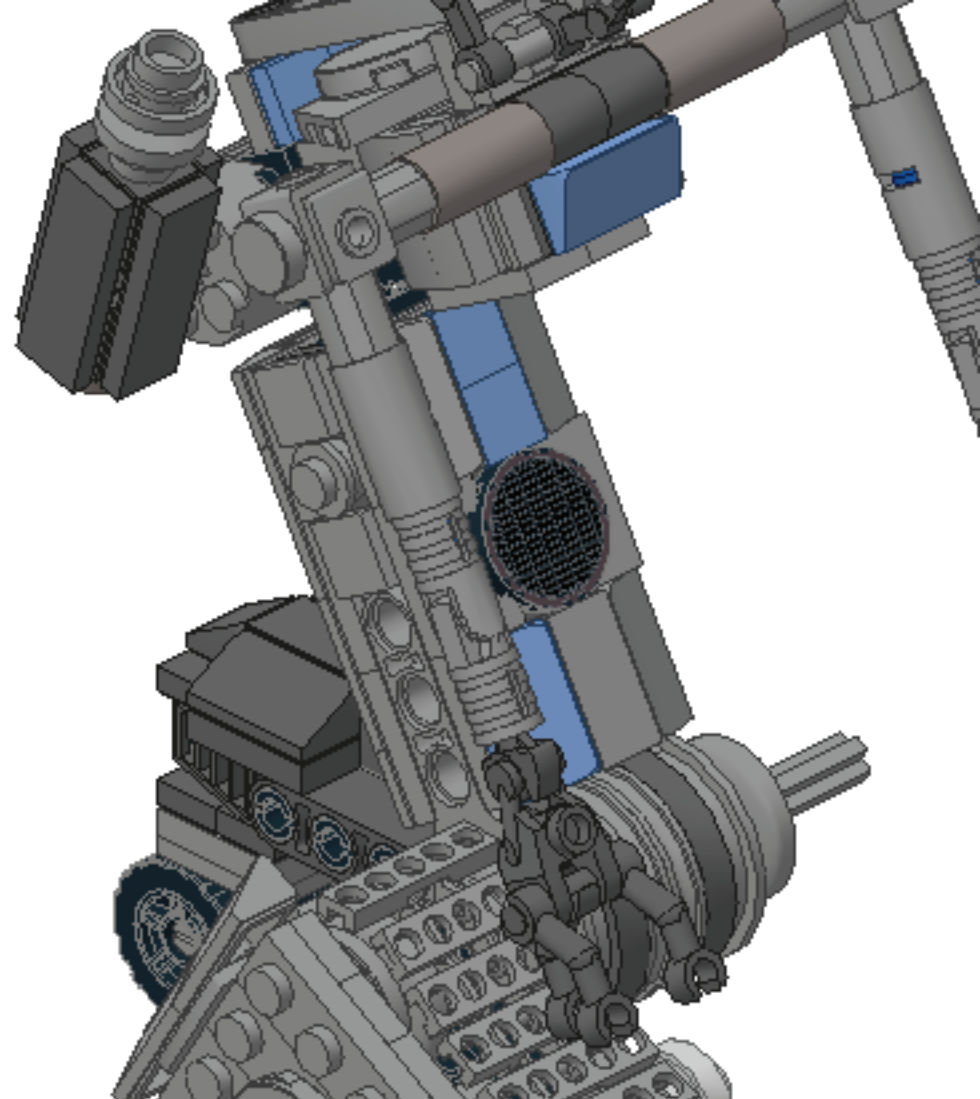
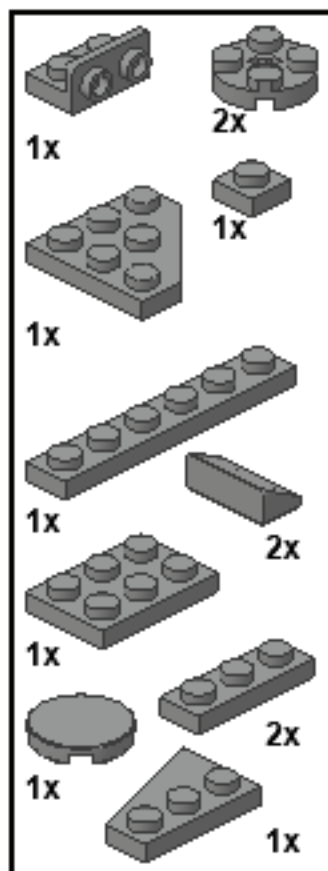
24

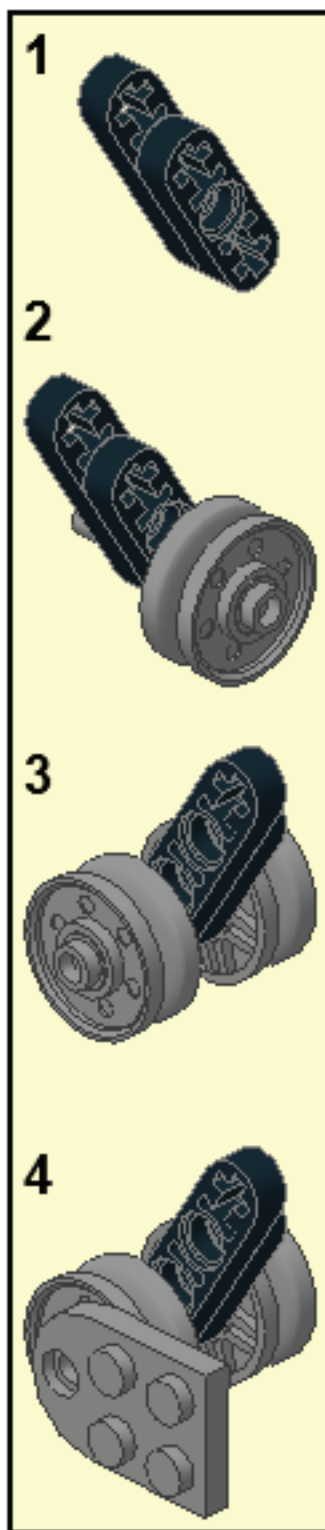
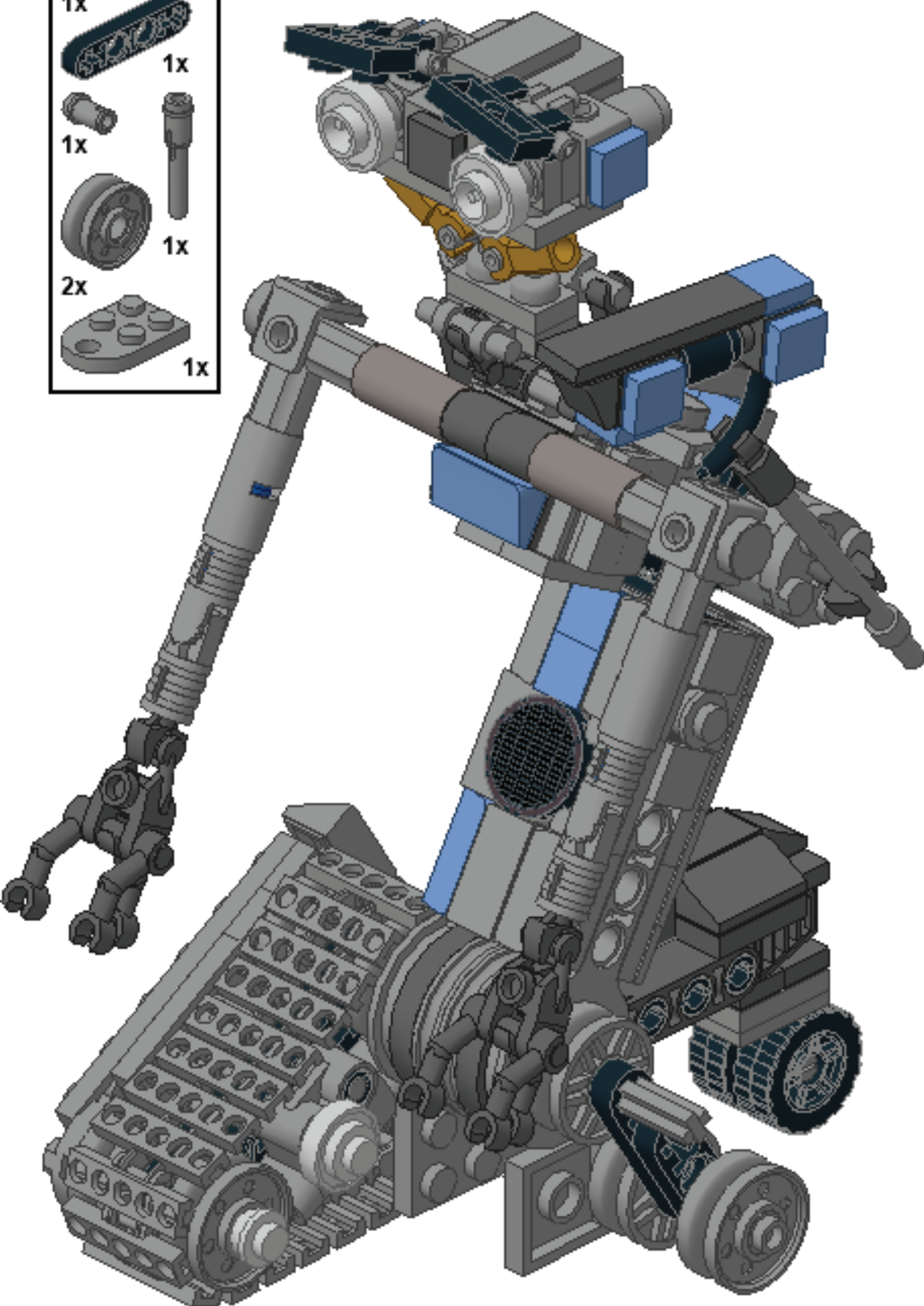
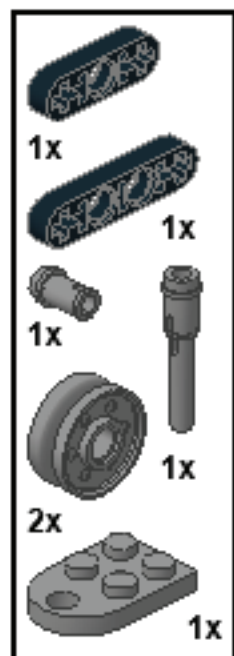


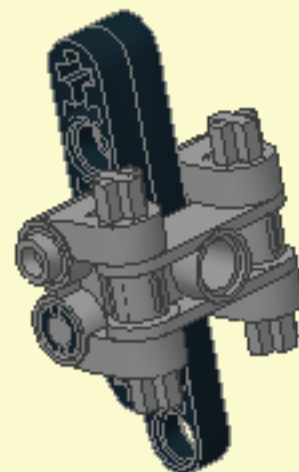
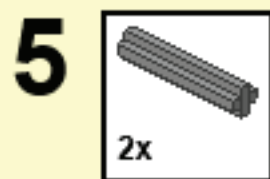
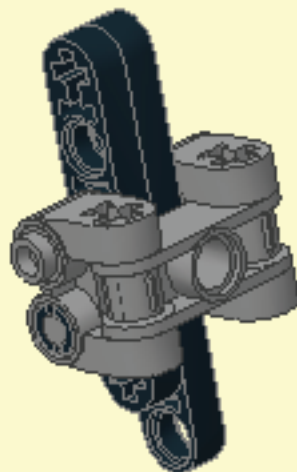
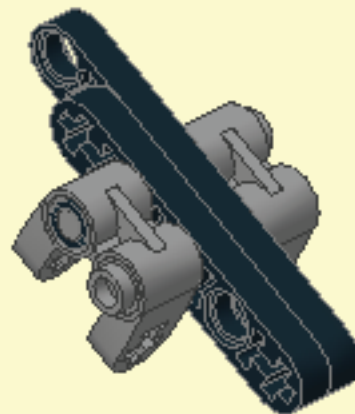
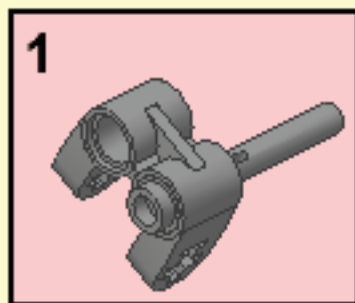
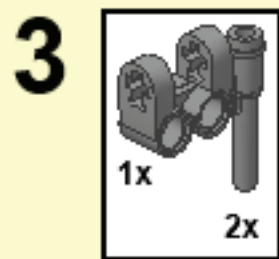
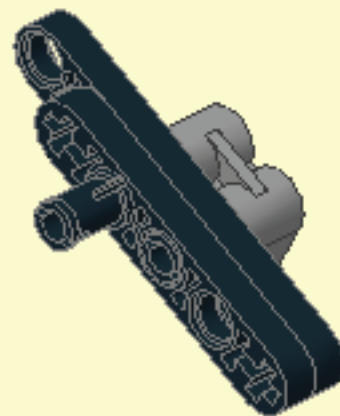
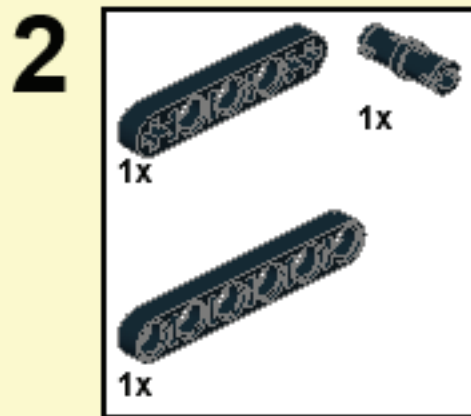
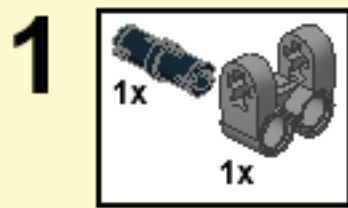
25



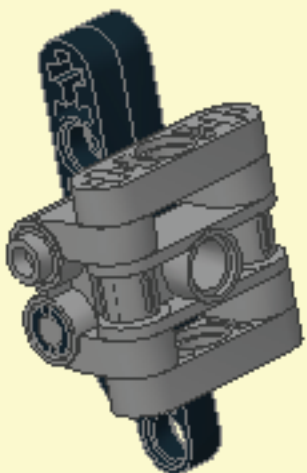
This works much easier if you complete the tread loop outside the model and then put it on. Put the wheel on last.



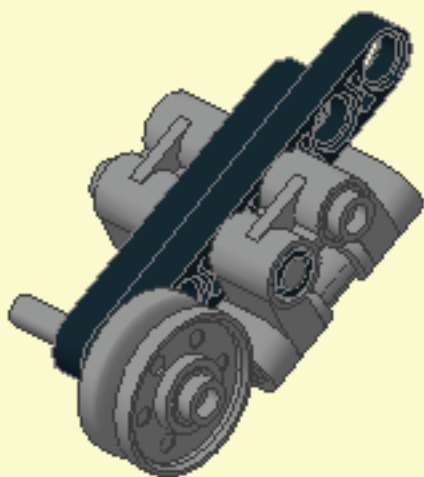
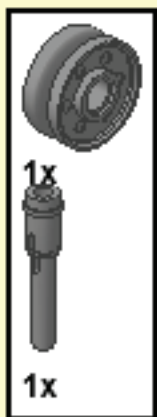




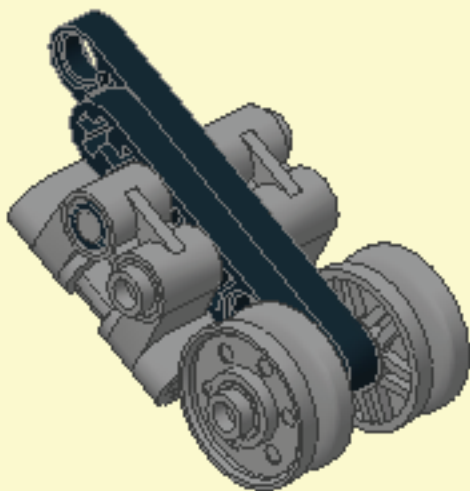
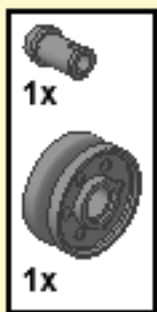
6



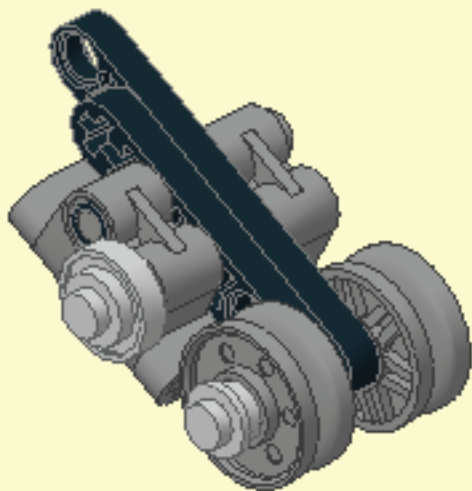
7



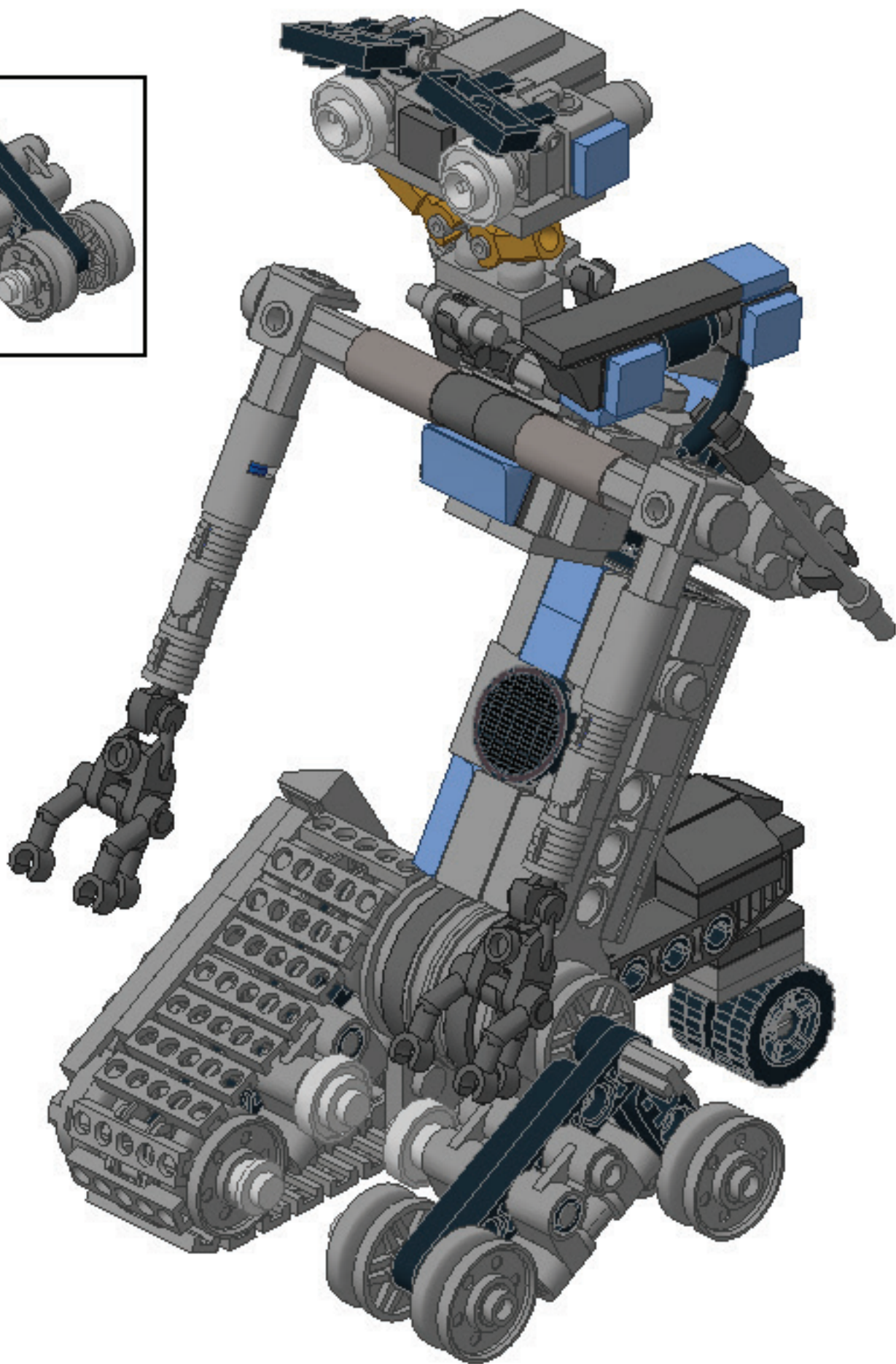
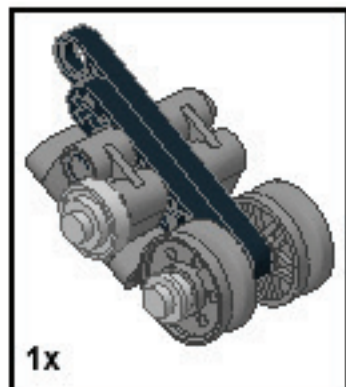
8



9



28



29

